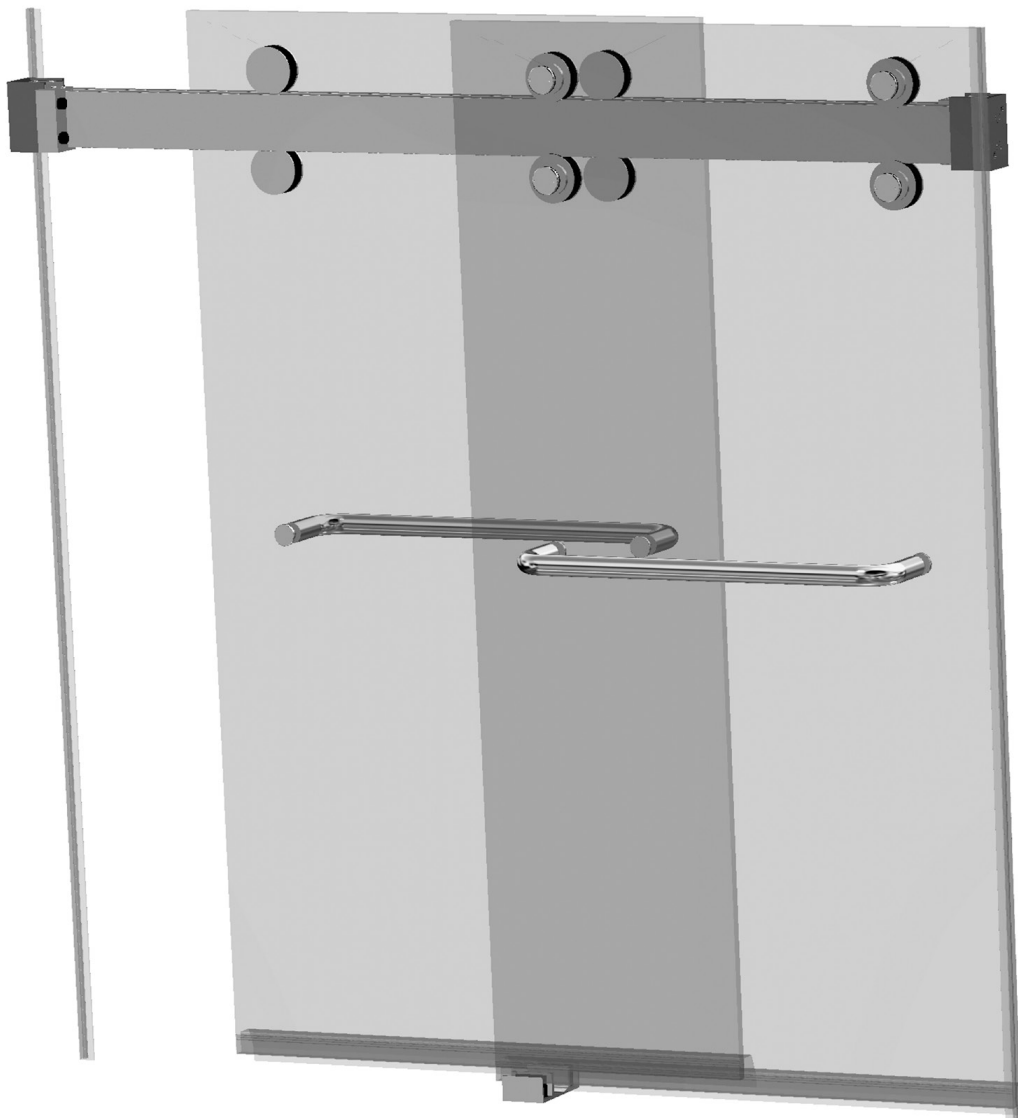


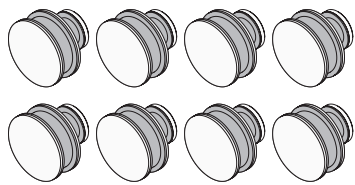
CEL CCAM78 DOUBLE SLIDING DOOR KIT

INSTALLATION INSTRUCTIONS

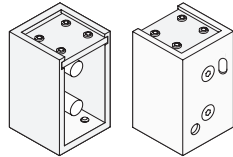


CEL CCAM78 DOUBLE SLIDING DOOR KIT

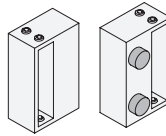
PARTS LIST



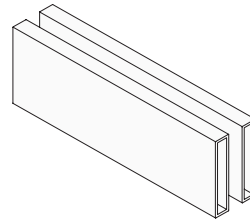
Roller (8 Pcs Included in Kit)



Track Holder Fitting
(2 Pcs Included)

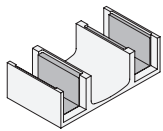


Stopper
(2 Pcs Included)

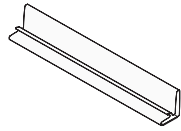


Screws and Anchors

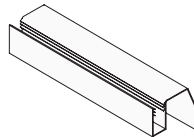
Header Support Bar
78" Long



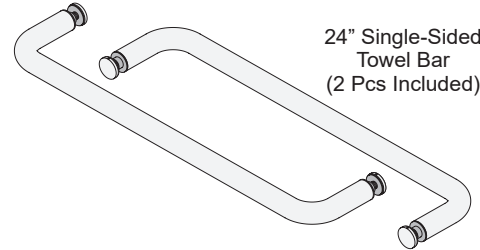
Bottom Guide
(1 Pc Included)



L-Seal
80" Long (2 Pcs Included)

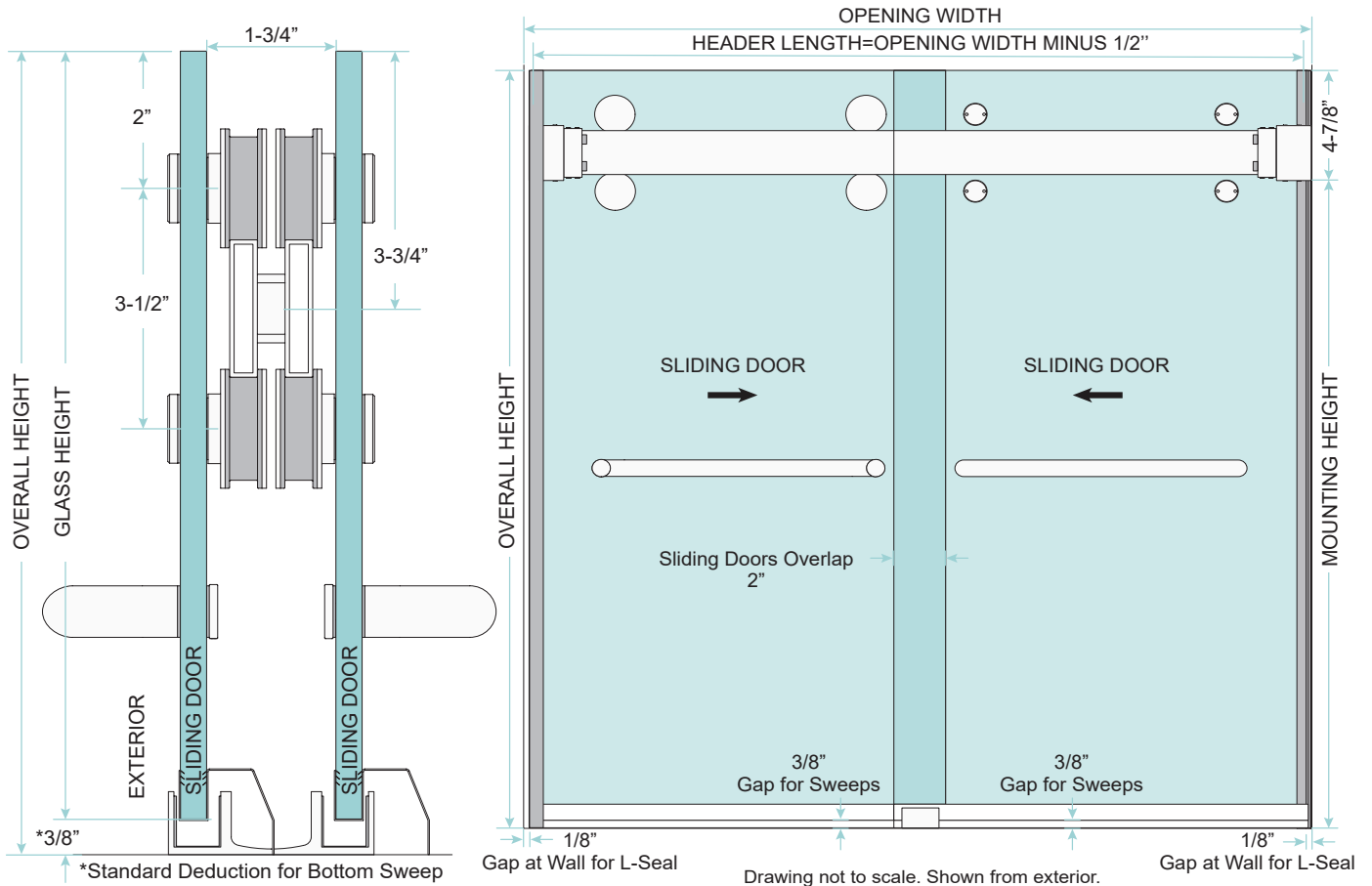


Bottom Sweep
40" Long (2 Pcs Included)



24" Single-Sided
Towel Bar
(2 Pcs Included)

SPECIFICATIONS



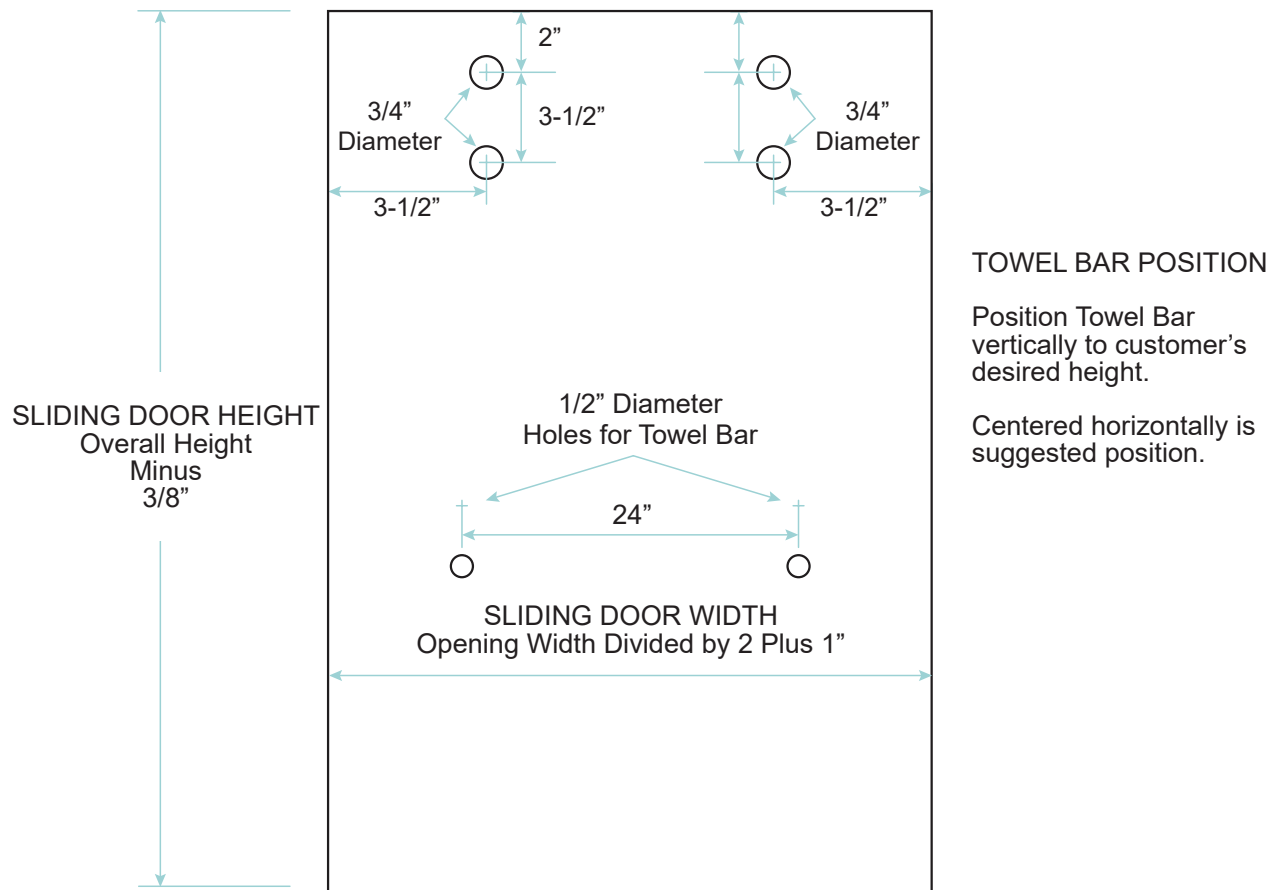
NOTE: Drawings not shown to scale. Header Bar is cut 1/2" less than Opening Width. Use wall-to-wall tight dimension. Overall Height is height from curb/floor to top of glass.



CEL CCAM78 DOUBLE SLIDING DOOR KIT

GLASS FABRICATION

Use 3/8" Tempered Glass only. Do not use Laminated Glass.



SLIDING DOOR HEIGHT: Overall Height minus 3/8"

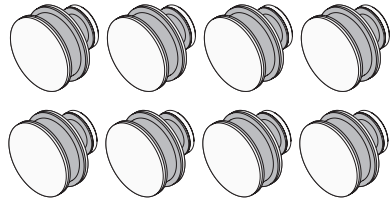
SLIDING DOOR WIDTHS: Overall Width divided by 2, plus 1"



CEL CCAM78 DOUBLE SLIDING DOOR KIT

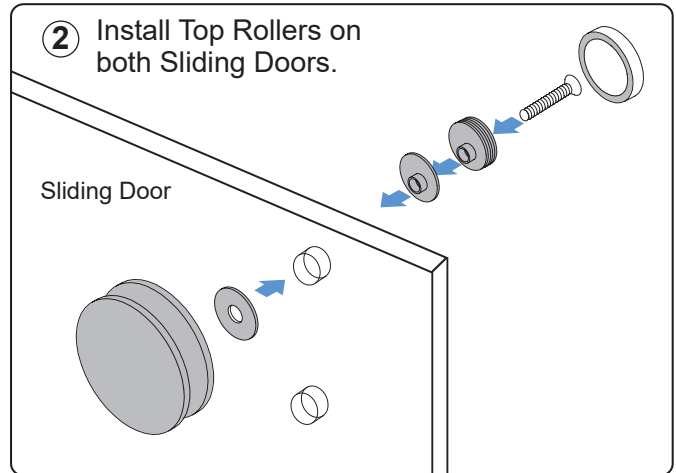
SLIDING DOOR PREPARATION

- ① Unpack and partially disassemble four sets of Rollers.

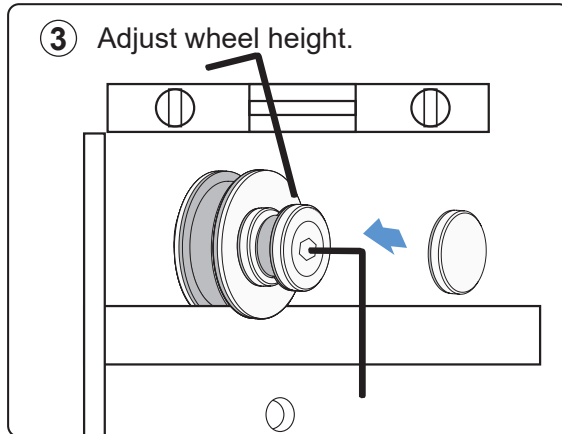


NOTE: Lower Rollers are installed after doors are hung.

- ② Install Top Rollers on both Sliding Doors.



- ③ Adjust wheel height.



NOTE: Install Top Rollers with flat area of Wheel parallel to top of glass, aligned at center of out-of-round position.

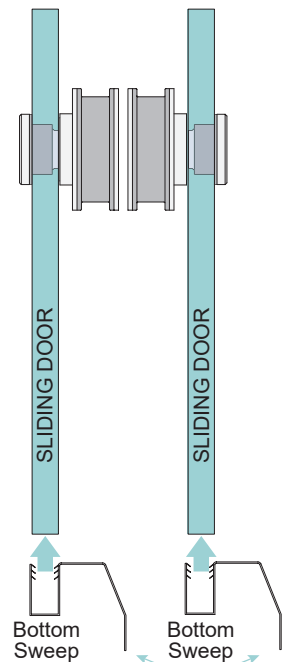
Install Top Rollers.
Lower Rollers installed
after doors are hung.

SLIDING DOOR
ASSEMBLY TWO

②

④

- ④ Cut Bottom Sweeps to door width.
Fit on the bottom of
each door.



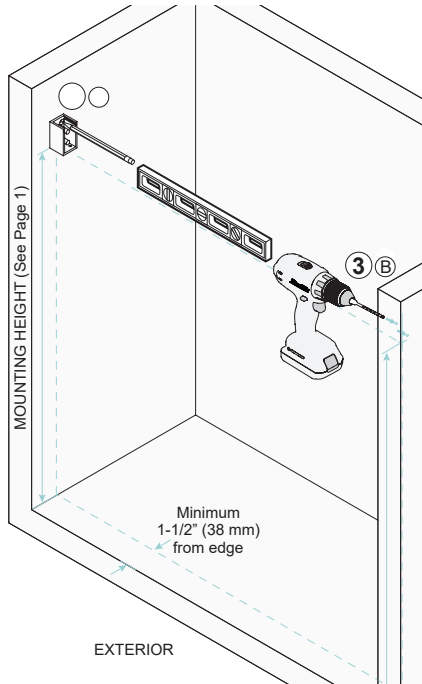
Lip at interior when Doors are hung.

NOTE: Orient Sweep with lip at interior of shower when Doors are installed. Lip will face Wheel side on one door and face Interior Plate on the other.

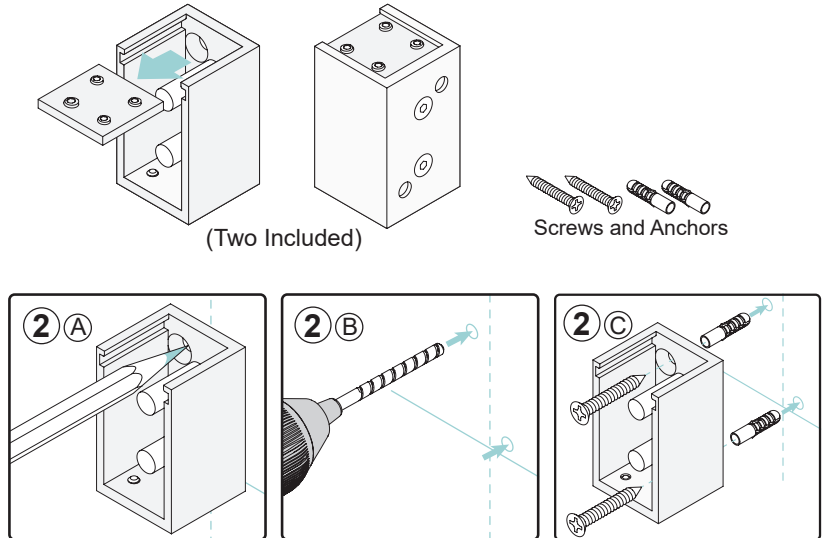


CEL CCAM78 DOUBLE SLIDING DOOR KIT

1 Determine Mounting Header and Mark Wall



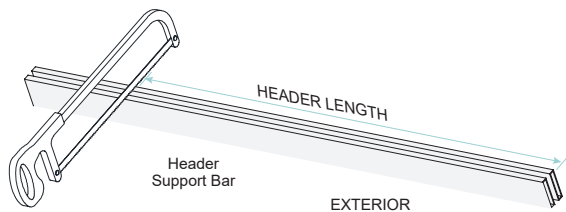
2 Track Holder Fitting



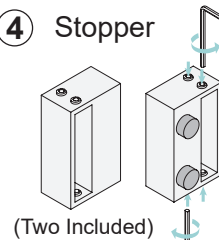
NOTE: Using Track Holder Fitting Base as a guide, mark and drill holes for Header Support Bar.

3 Header Support Bar

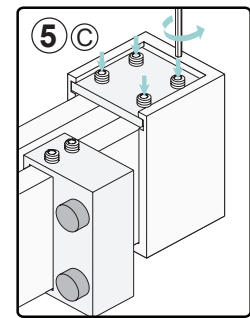
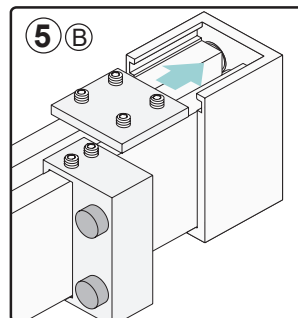
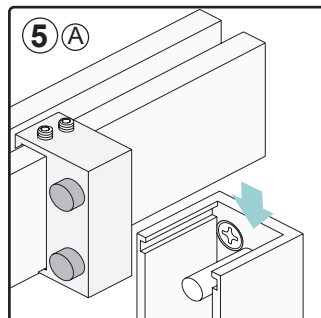
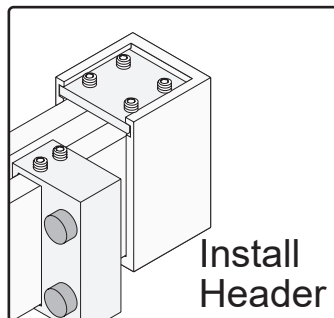
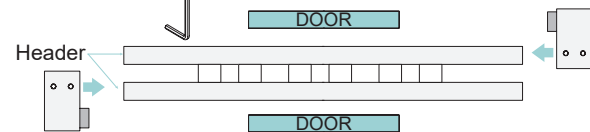
NOTE: Measure opening width at mounting points. Cut Header Support Bar 1/2" shorter. Header Support Bar is made of stainless steel. Use hacksaw or special cutting tool



4 Stopper

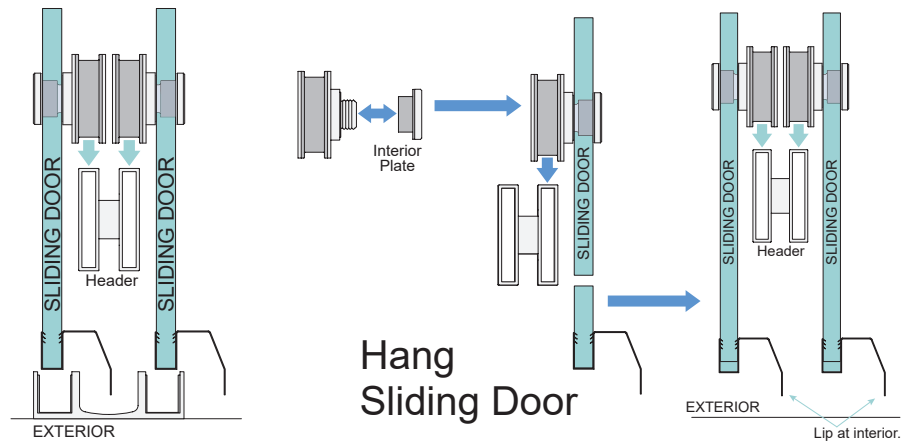


NOTE: Position Stoppers with Rubber Bumpers facing back of door in open position. Secure in place after Header is installed.

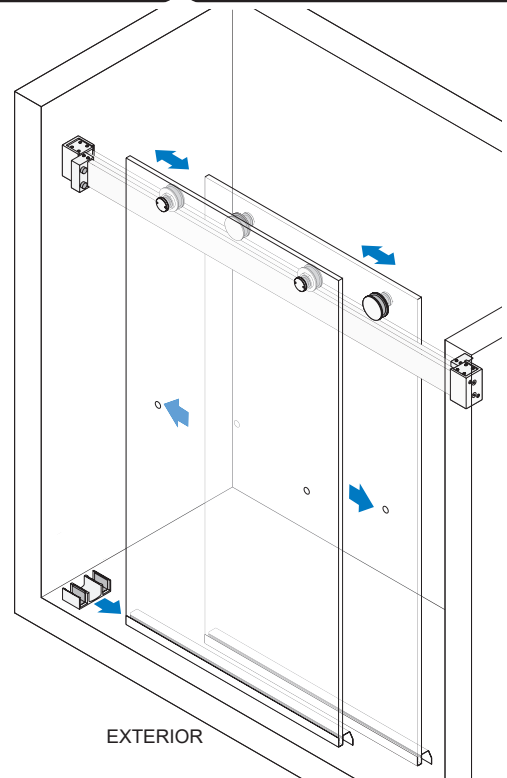
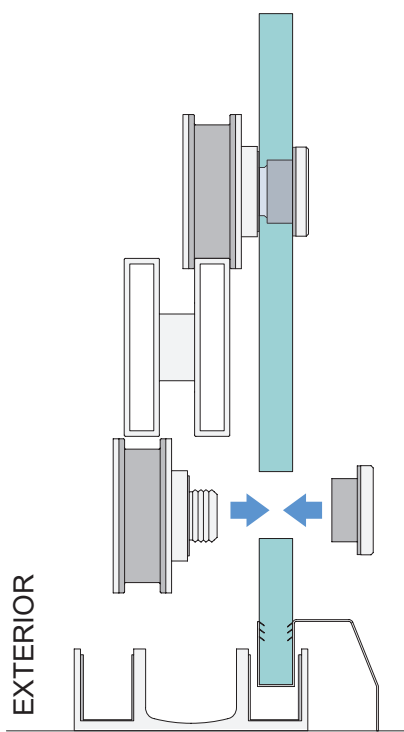
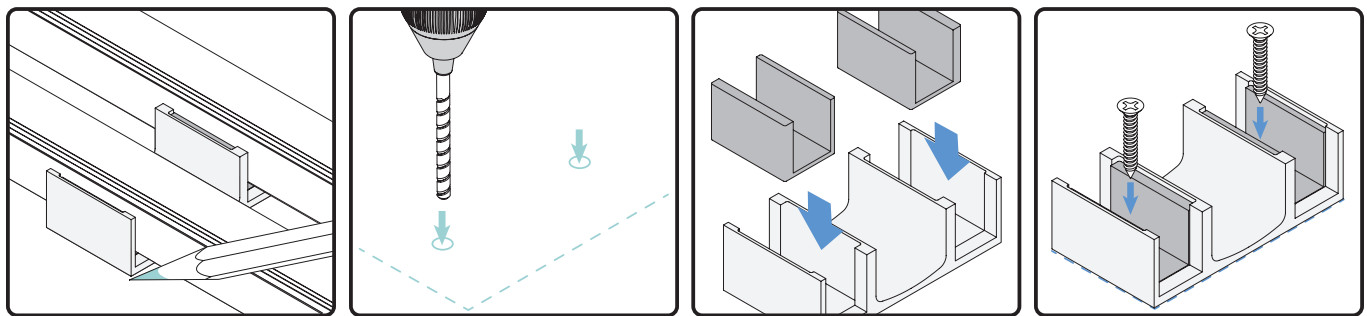


CEL CCAM78 DOUBLE SLIDING DOOR KIT

⑥ Hang Sliding Door to Header



⑦ Install Bottom Door Guide



CEL CCAM78 DOUBLE SLIDING DOOR KIT

