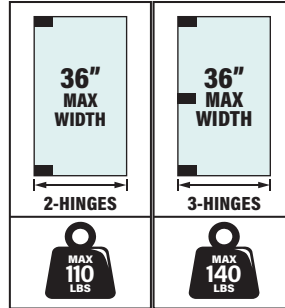
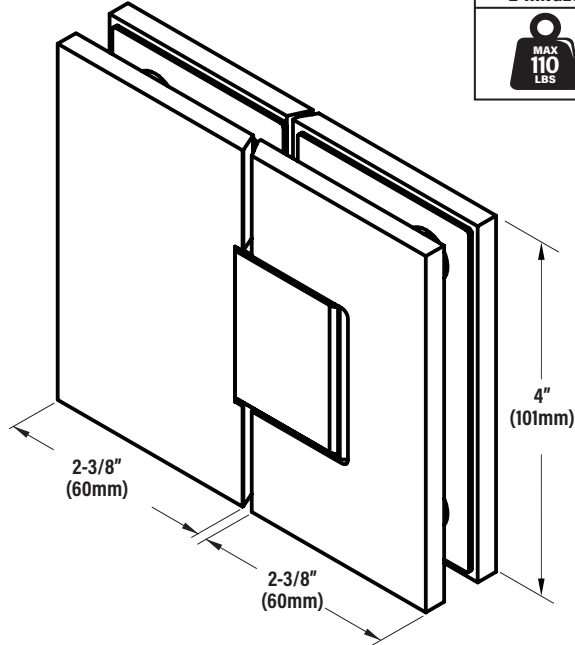


*** SEE TEMPLATE ON BACK ***

Refer to Dimensions Shown
to Ensure Accuracy



CEL

GLASS HARDWARE

www.Celglasshardware.com

4502 3rd Ave, Brooklyn, NY 11220

ITEM# CEL180

Heavy Duty 180° Glass-to-Glass Hinge with Cover Plate

SPECIFICATIONS

- ★ **Material:** Solid Brass
- ★ **Glass Thickness Range:** 3/8" (10mm) to 1/2" (12mm)
- ★ **Closing Type:** Self-Centering when within 15° of closed position
- ★ **Mounting Type:** 180° Glass to Glass
- ★ **Hinge Swing:** 90° in and 90° out
- ★ **Package Included:** Gaskets, Screws, and Glass Template
- ★ **Special Feature:** Offers Choice of Standard 0° Closing Position or 5° Pre-Set Model
- ★ **Use:** Residential Bath and Commercial Hotel

GLASS THICKNESS	USE OF GASKETS
3/8"	One Thick Gasket on Each Side
1/2"	One Thin Gasket on Each Side



Tel: 929-888-9605 Fax: 929-888-9607 Email: Sales@celglasshardware.com

CEL180

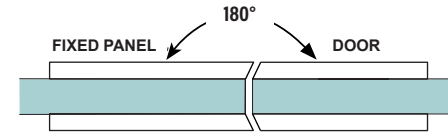
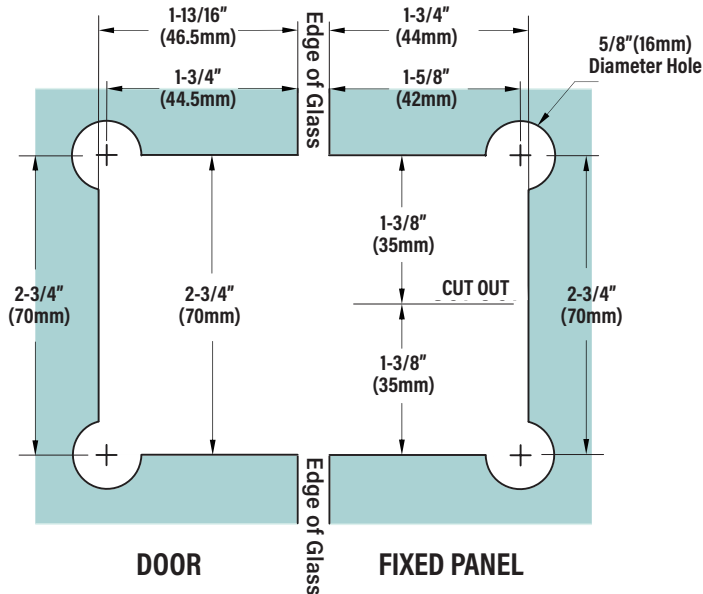
Heavy Duty 180° Glass-to-Glass Hinge With Cover Plate

CEL

GLASS HARDWARE

www.Celglasshardware.com

4502 3rd Ave, Brooklyn, NY 11220



Template is for Standard 3/16" (5mm)
Glass to Glass Clearance



Meausure from Finished Edge of Glass



USE TEMPERED GLASS ONLY



Always Use Dimension to Ensure
Accuracy. DO NOT MEASURE DRAWING



Tel: 929-888-9605 Fax: 929-888-9607 Email: Sales@celglasshardware.com