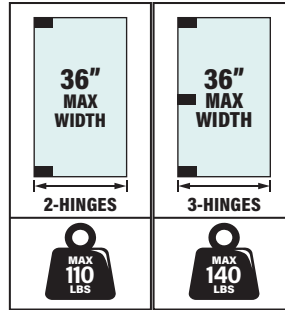
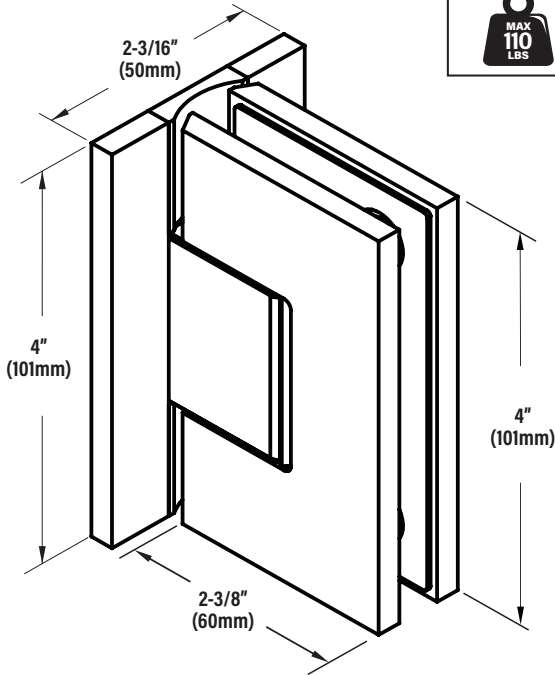


**\* SEE TEMPLATE ON BACK \***  
 Refer to Dimensions Shown  
 to Ensure Accuracy



# CEL

GLASS HARDWARE

[www.Celglasshardware.com](http://www.Celglasshardware.com)

4502 3rd Ave, Brooklyn, NY 11220

## ITEM# CELO37

Heavy Duty Wall Mount Hinge - Full Back Plate  
 With COVER PLATE

### SPECIFICATIONS

- ★ **Material:** Solid Brass
- ★ **Glass Thickness Range:** 3/8" (10mm) to 1/2" (12mm)
- ★ **Closing Type:** Self-Centering when within 15° of closed position
- ★ **Mounting Type:** Wall Mount
- ★ **Hinge Swing:** 90° in and 90° out
- ★ **Package Included:** Gaskets, Screws, and Glass Template
- ★ **Special Feature:** Offers Choice of Standard 0° Closing Position or 5° Pre-Set Model
- ★ **Use:** Residential Bath and Commercial Hotel

GLASS THICKNESS	USE OF GASKETS
3/8"	One Thick Gasket on Each Side
1/2"	One Thin Gasket on Each Side



Tel: 929-888-9605 Fax: 929-888-9607 Email: [Sales@celglasshardware.com](mailto:Sales@celglasshardware.com)

# CEL037

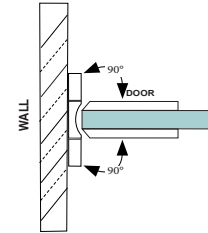
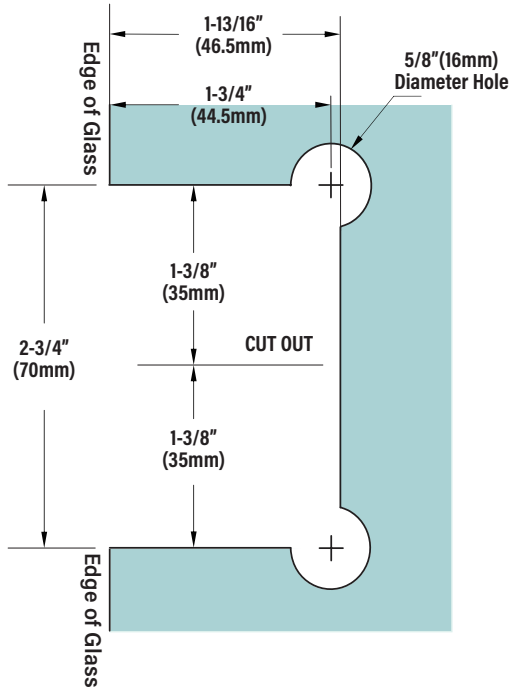
## Heavy Duty -Wall Mount Hinge- Full Back Plate With COVER PLATE

# CEL

GLASS HARDWARE

[www.Celglasshardware.com](http://www.Celglasshardware.com)

4502 3rd Ave, Brooklyn, NY 11220



Template is for Standard 3/16" (5mm)  
Glass to Wall Clearance



Measure from Finished Edge of Glass



USE TEMPERED GLASS ONLY



Always Use Dimension to Ensure  
Accuracy. DO NOT MEASURE DRAWING



Tel: 929-888-9605 Fax: 929-888-9607 Email: [Sales@celglasshardware.com](mailto:Sales@celglasshardware.com)