

CSS05 SLIDING DOOR KIT

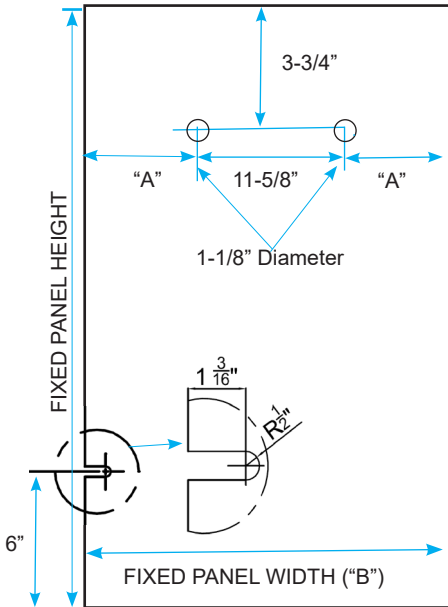
GLASS FABRICATION

Use 3/8" Temper Glass Only.

**Choose a fixed panel set up depending on opening width

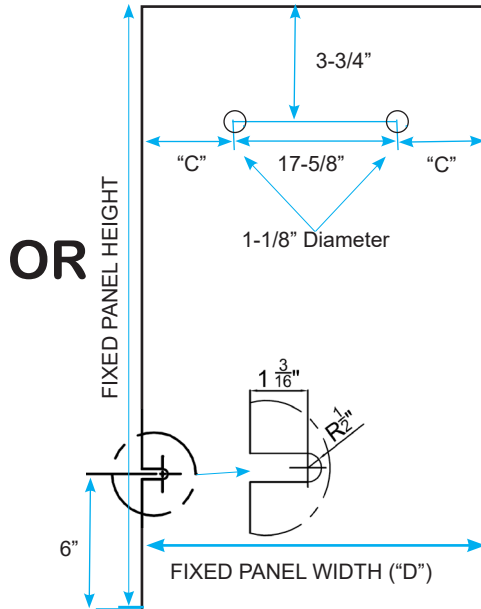
FIXED PANEL

Opening Widths **Less than 50"**



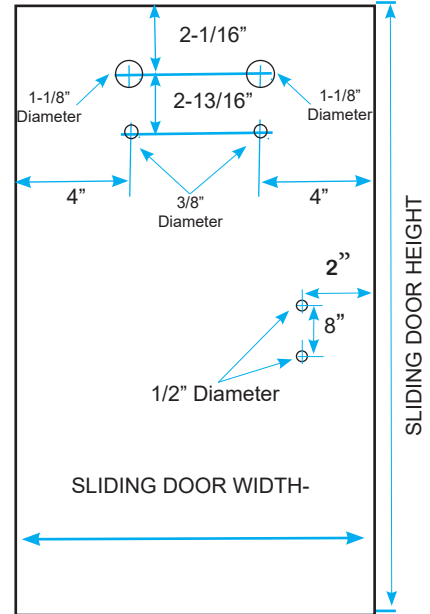
FIXED PANEL

Opening Widths **Greater than 50"**



OR

and



FIXED PANEL AND SLIDING DOOR HEIGHTS

- SLIDING DOOR: Overall Height minus 1/2"

FIXED PANEL AND SLIDING DOOR WIDTHS

-FIX PANEL: Overall width divided by 2, minus 1/2"

-SLIDING DOOR: Overall Width divided by 2, plus 3-3/8"

"A" = ("B" minus 11-5/8") divided by 2

"C" = ("D" minus 17-5/8") divided by 2