

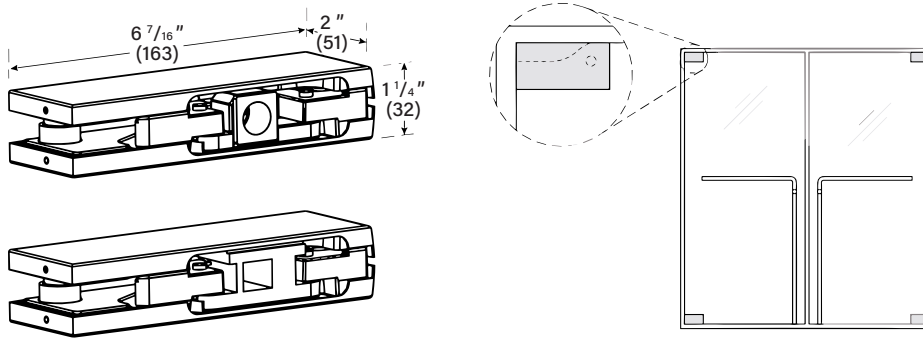
CEL GLASS HARDWARE

4502 3rd Ave, Brooklyn, NY 11220
Tel: 929-888-9605 Email: celglasshardware@gmail.com
www.celglasshardware.com

Glass Fabrication Sketch

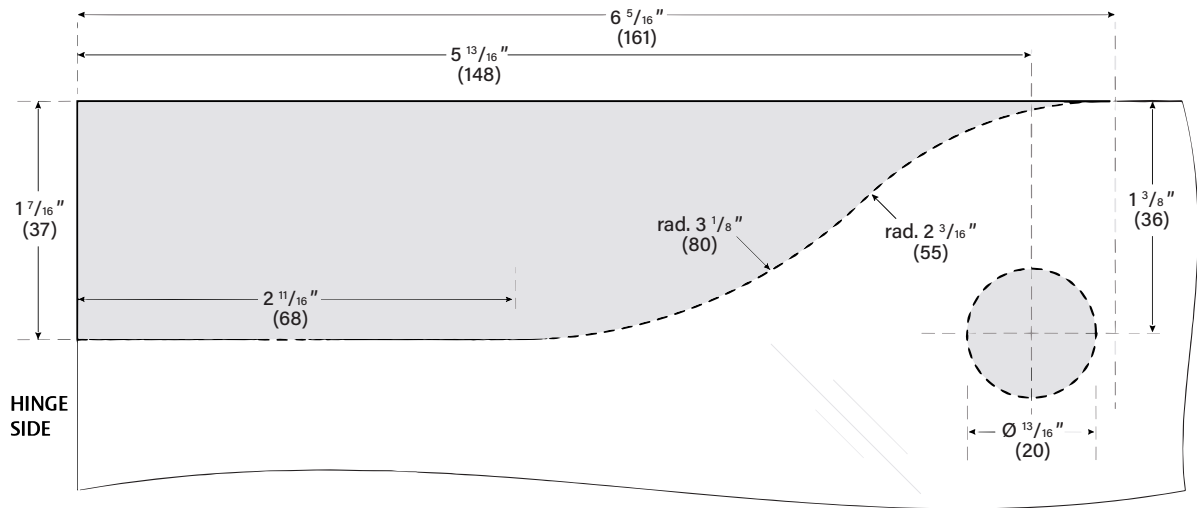
CPH20 & CPH22, Top Patch Fitting

DIMENSIONS IN INCHES (MILLIMETERS)
NOT TO SCALE



USE FABRICATION SKETCH TO DRILL AND CUT GLASS.

Cut away glass (shaded area) along dotted line to match sketch dimensions. Drill $\frac{13}{16}$ " (20 mm) diameter holes.



Caution: Office copiers, printers and facsimile machines may change the size of a drawing and make it inaccurate to use as a template.