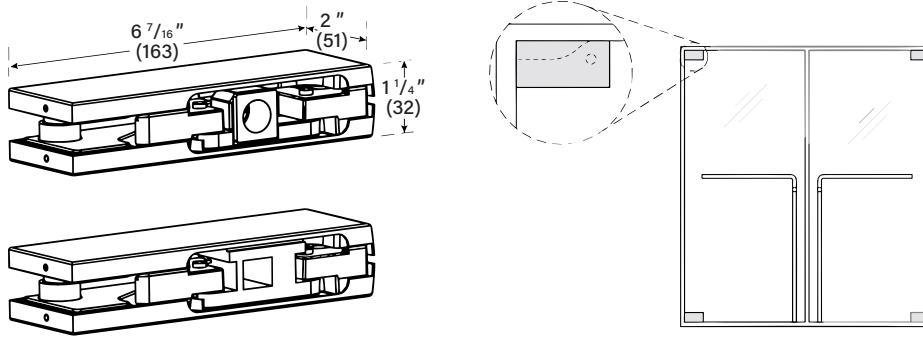


# Glass Fabrication Sketch

## CPH20 & CPH22, Top Patch Fitting

DIMENSIONS IN INCHES (MILLIMETERS)  
 NOT TO SCALE



### USE FABRICATION SKETCH TO DRILL AND CUT GLASS.

Cut away glass (shaded area) along dotted line to match sketch dimensions. Drill  $\frac{13}{16}$ " (20 mm) diameter holes.

