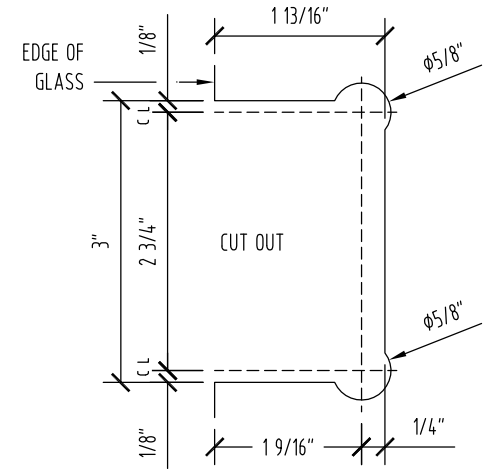
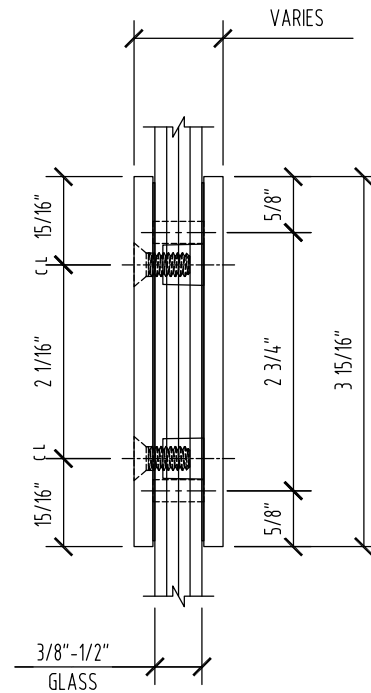
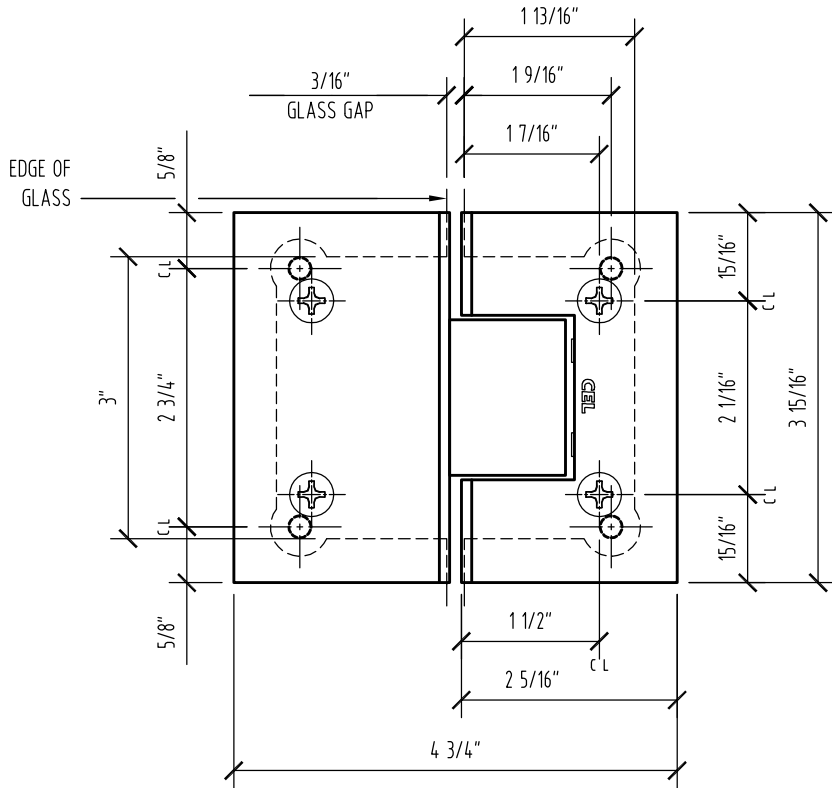


GLASS FABRICATION TEMPLATE
RECTANGULAR CUT OUT OPTION
WITH OUT PINS
TEMPLATE FOR DOOR AND
FIXED PANEL ARE THE SAME



GLASS FABRICATION TEMPLATE
"MOUSE EAR" CUT OUT OPTION
TEMPLATE FOR DOOR AND
FIXED PANEL ARE THE SAME



$3 \frac{1}{8}$ " - $\frac{1}{2}$ "
GLASS