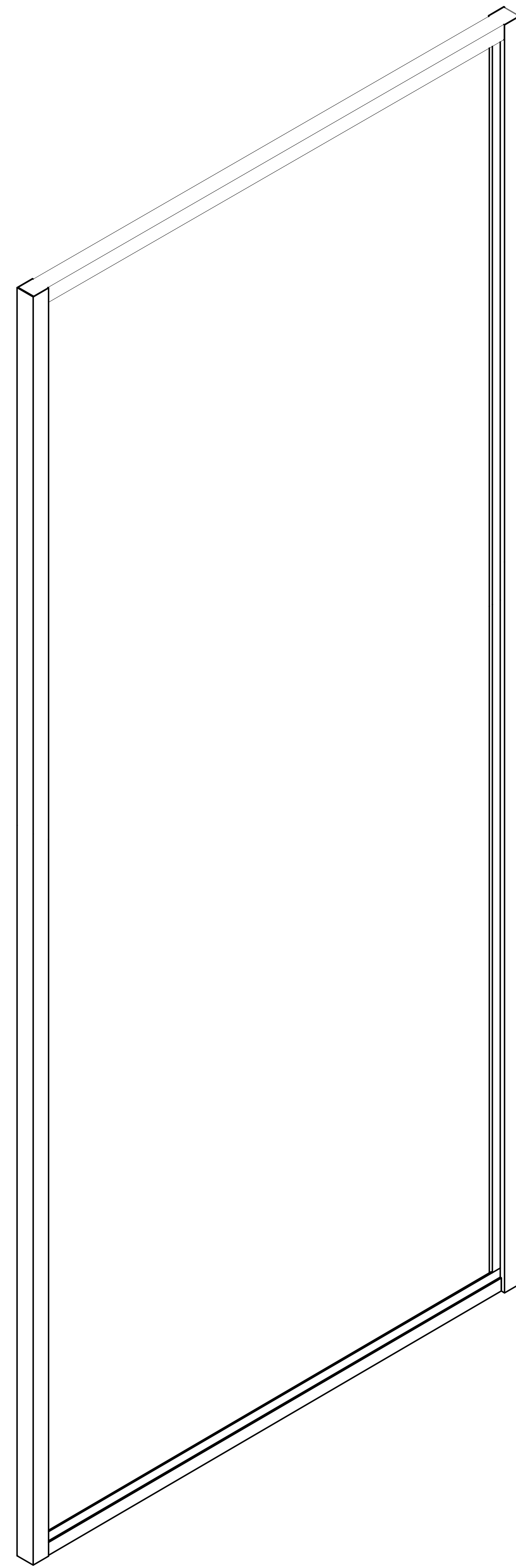
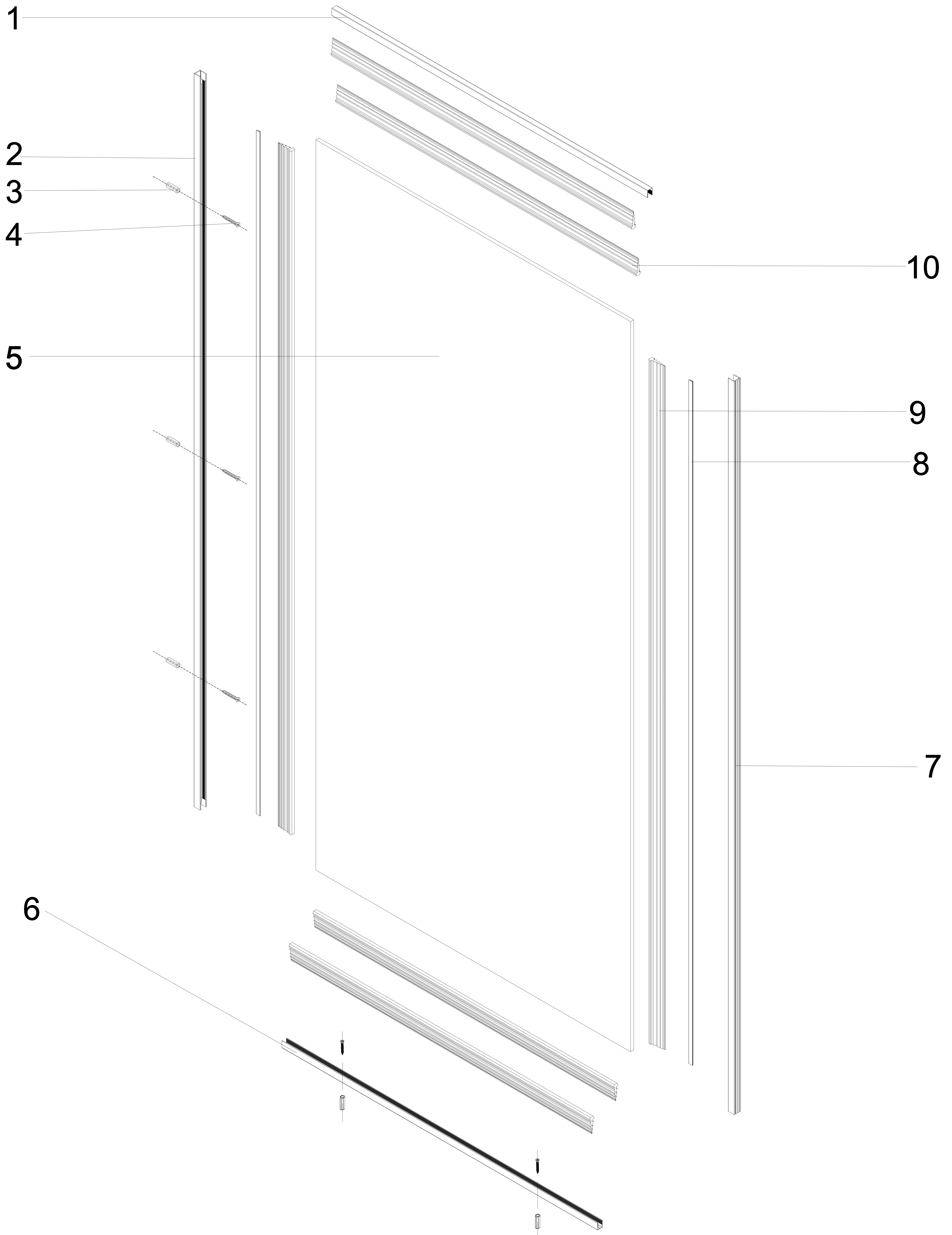


left-hand side shower  
screen installation



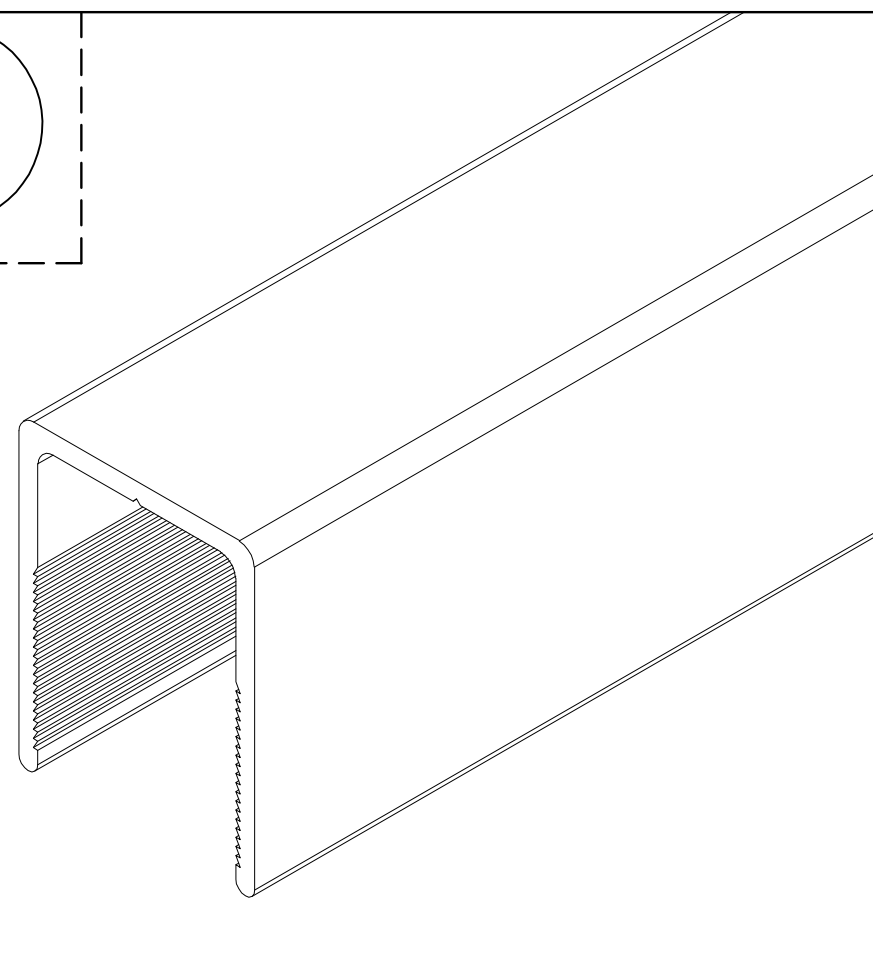
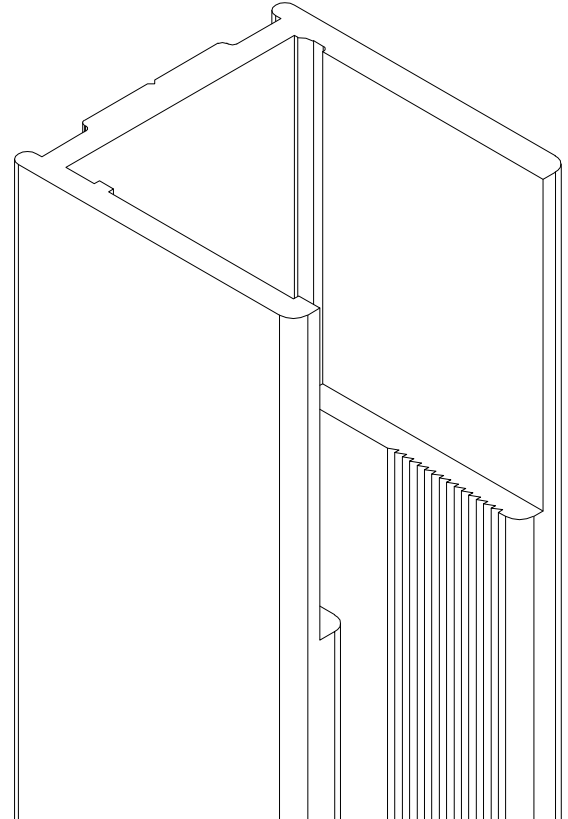
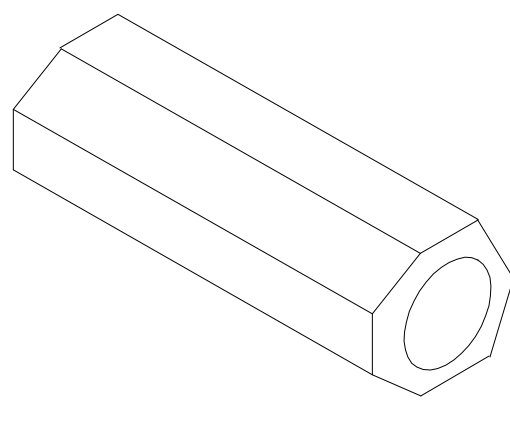
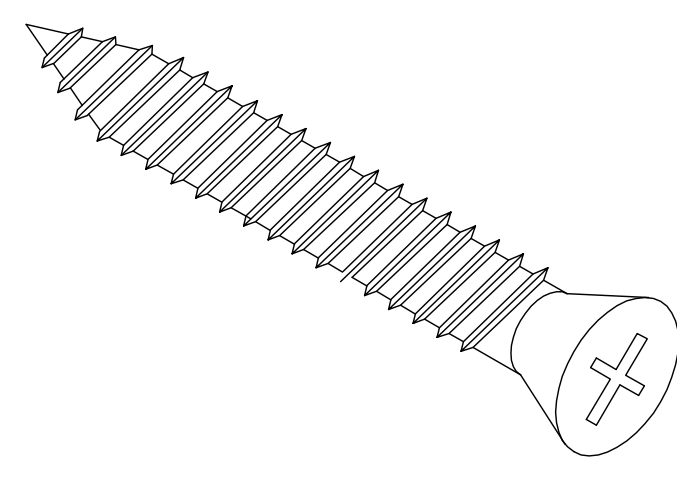
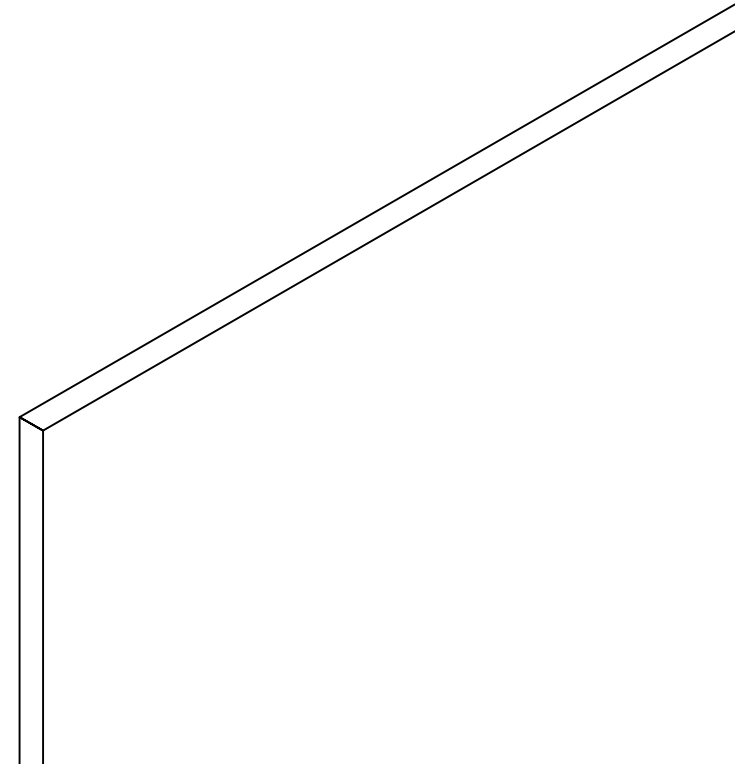
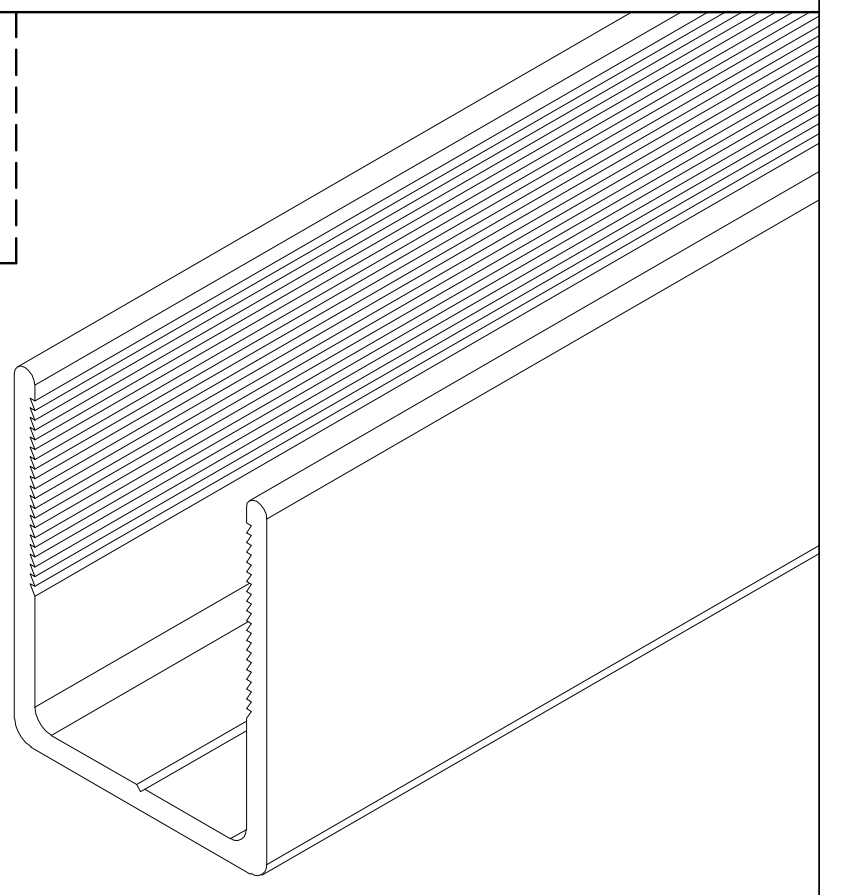
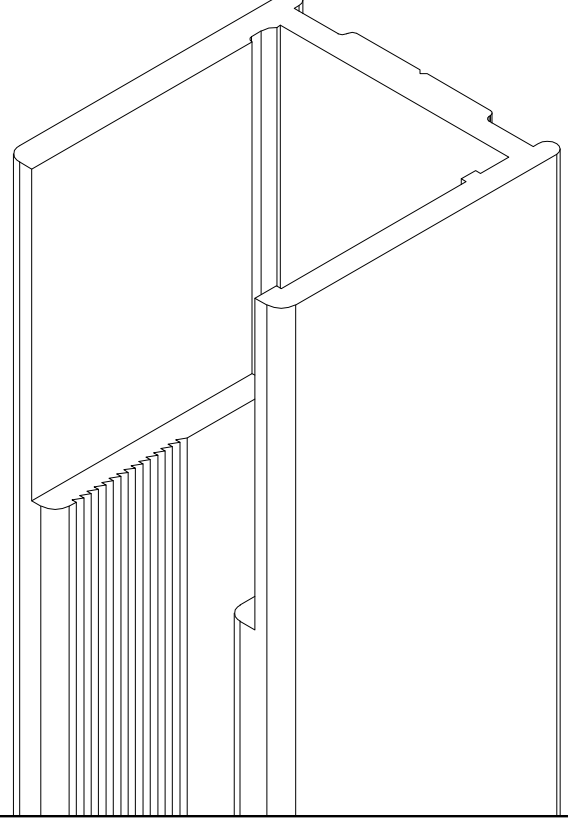
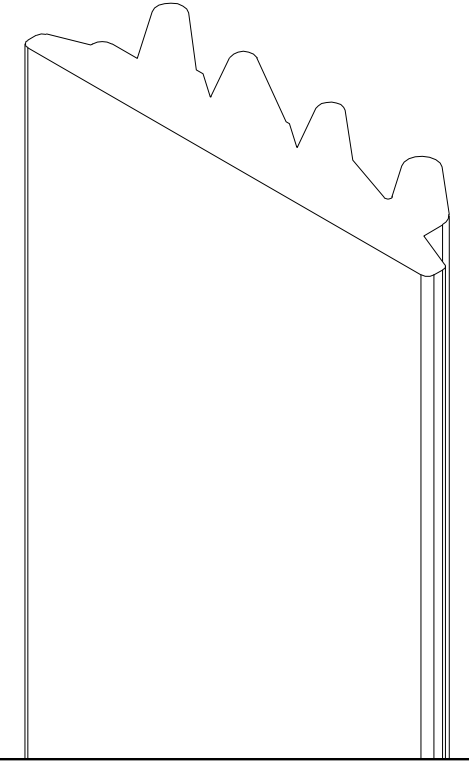
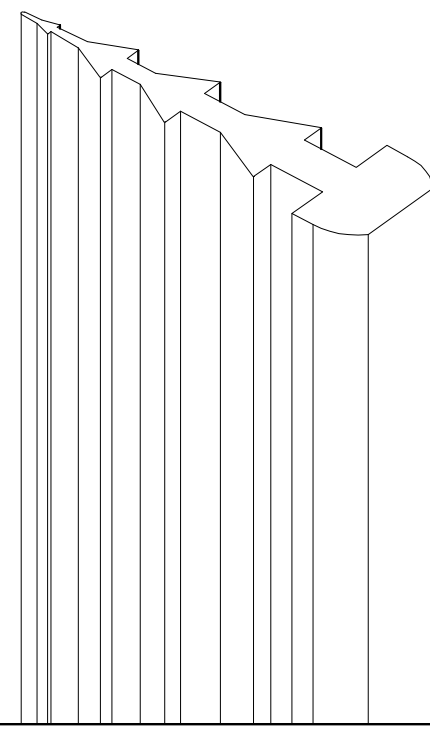
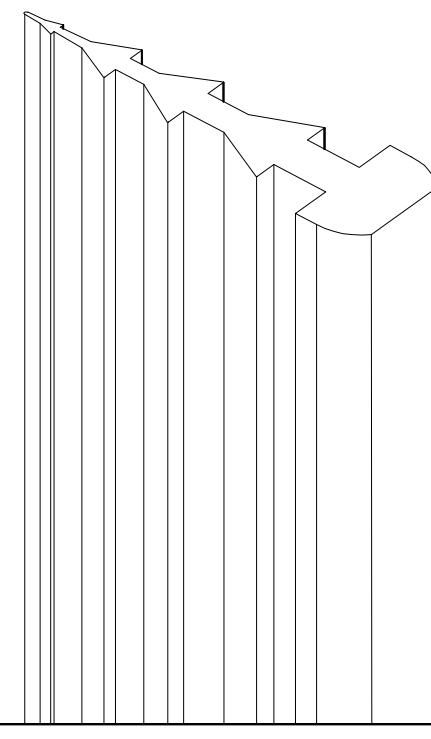
right-hand side shower  
screen installation

# Detailed Diagram

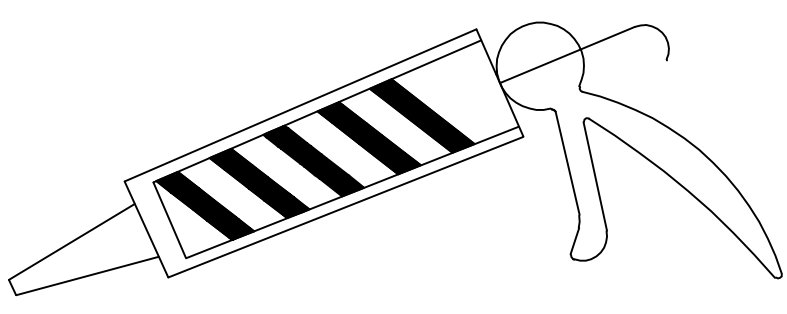
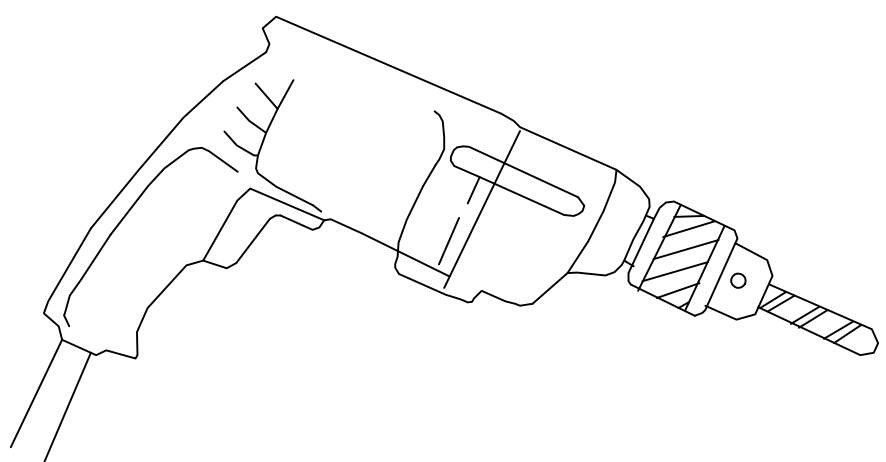
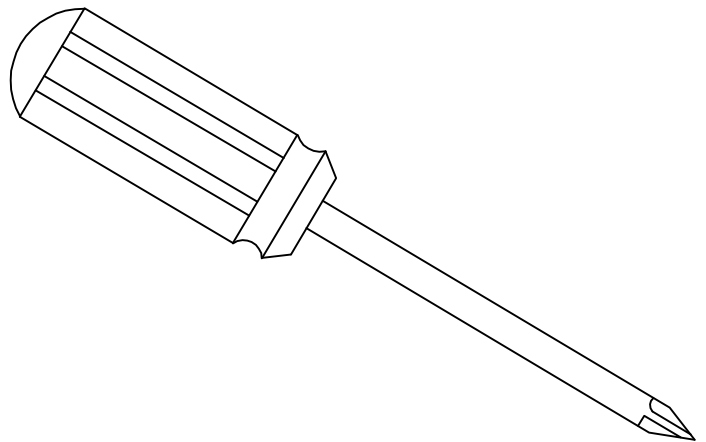
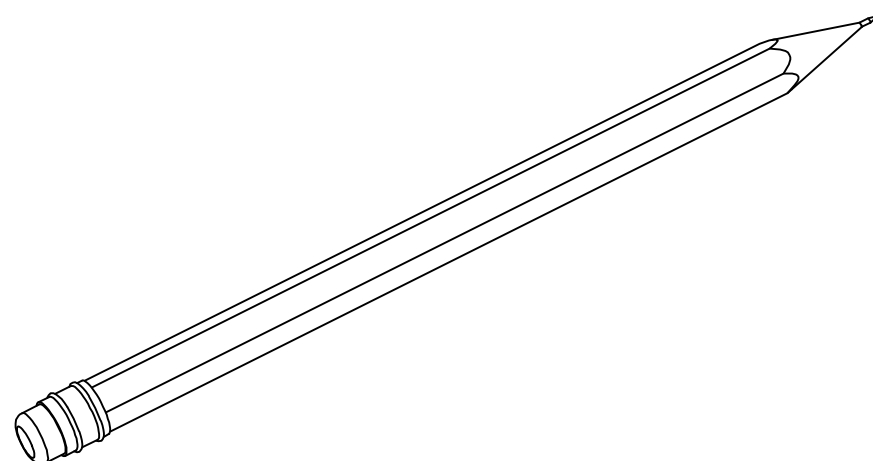
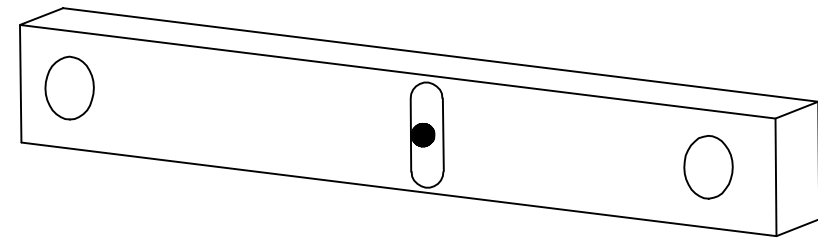
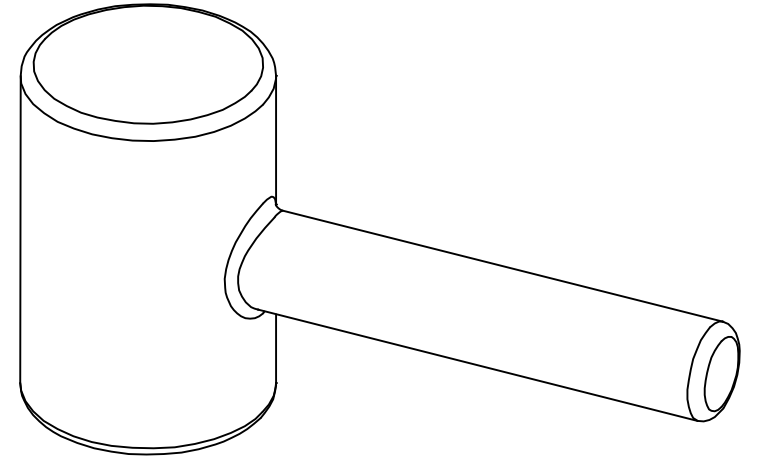
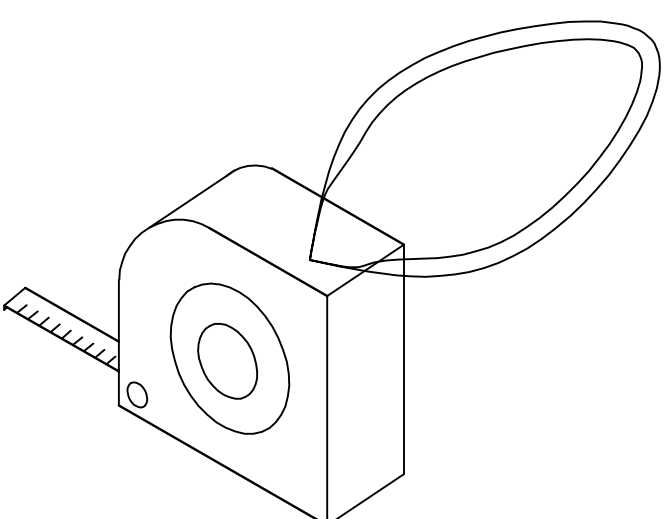

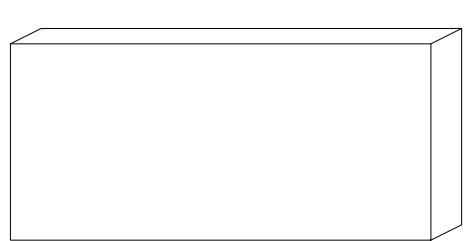
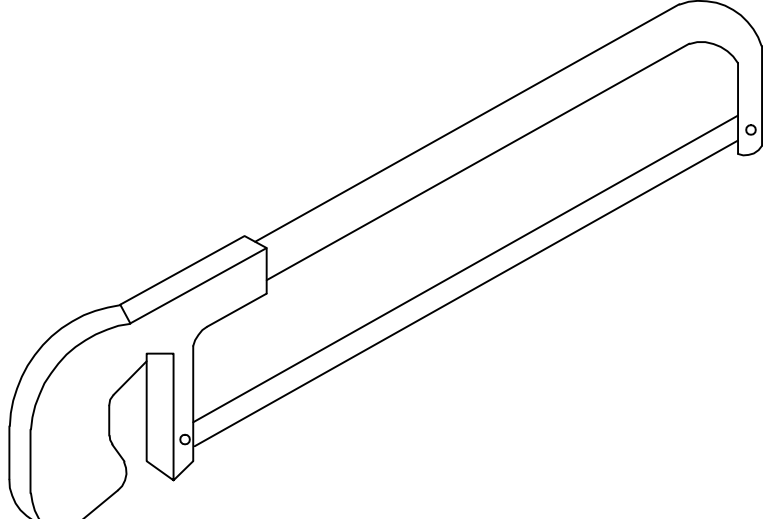




# PART LIST

Check all parts according to the list before assembly . Feel free to contact with us if you need assistance .

					
<p>1 Top aluminum U channel (1PC)</p>	<p>2 Wall bracket A(1PC)</p>	<p>3 Plug 6*28(5PCS)</p>	<p>4 Screw 4*30(5PCS)</p>	<p>5 Glass shower screen(1PC)</p>	<p>6 Bottom aluminum U channel(1PC)</p>
					
<p>7 Wall bracket B(1PC)</p>	<p>8 Strip(2PCS)</p>	<p>9 One-sided strip(2PCS)</p>	<p>10 One-sided strip(4PCS)</p>		

## Recommended Tools

					
<p>Silicone</p>	<p>Drill</p>	<p>Philips Screw Driver</p>	<p>Pencil</p>	<p>Level</p>	<p>Rubber Mallet</p>
					
<p>Tape Measure</p>	<p>Ø1/4"Drill Bit</p>	<p>Wooden Jam</p>	<p>Hacksaw</p>	<p>Safety Glass</p>	<p>Safety Gloves</p>

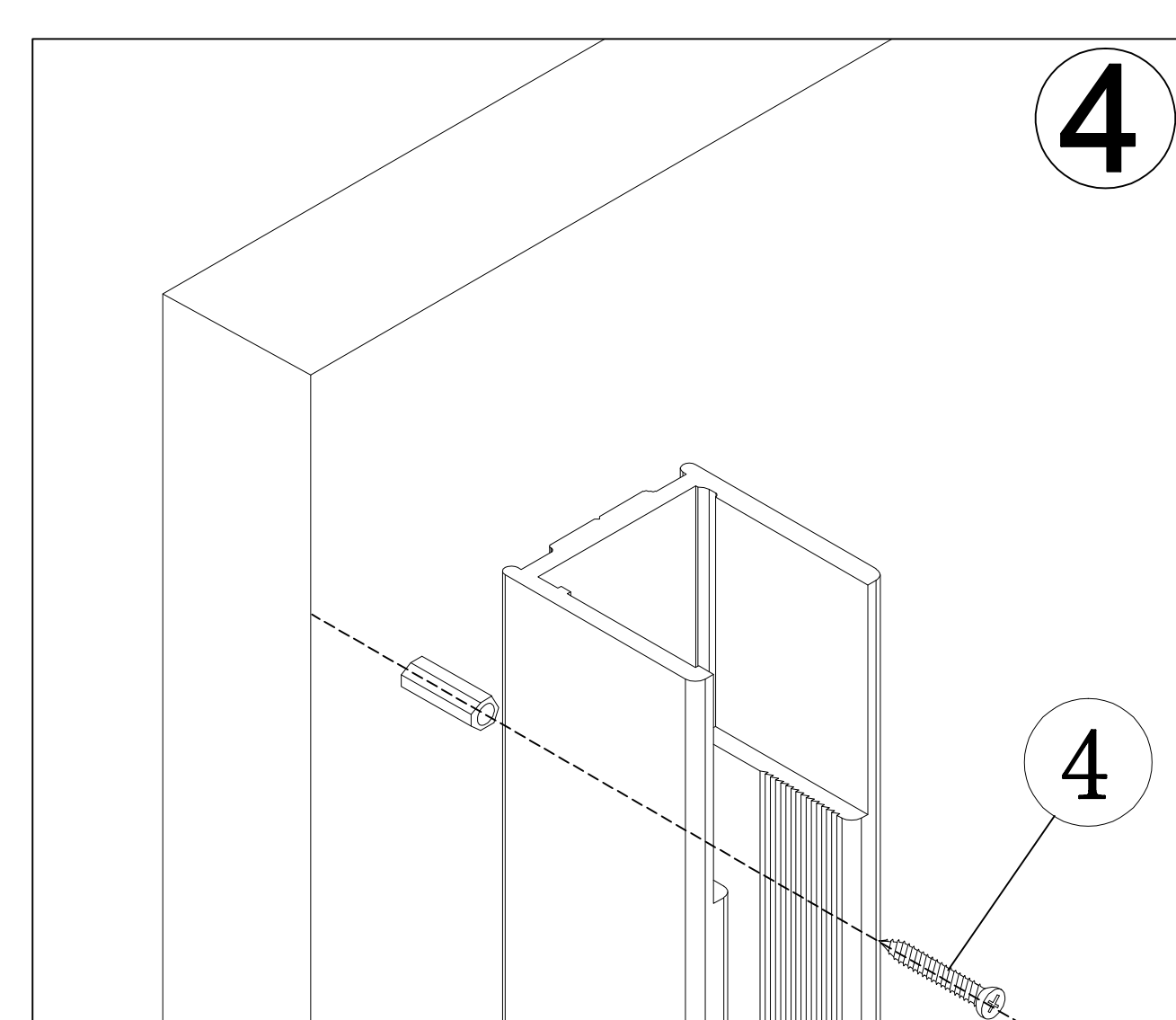
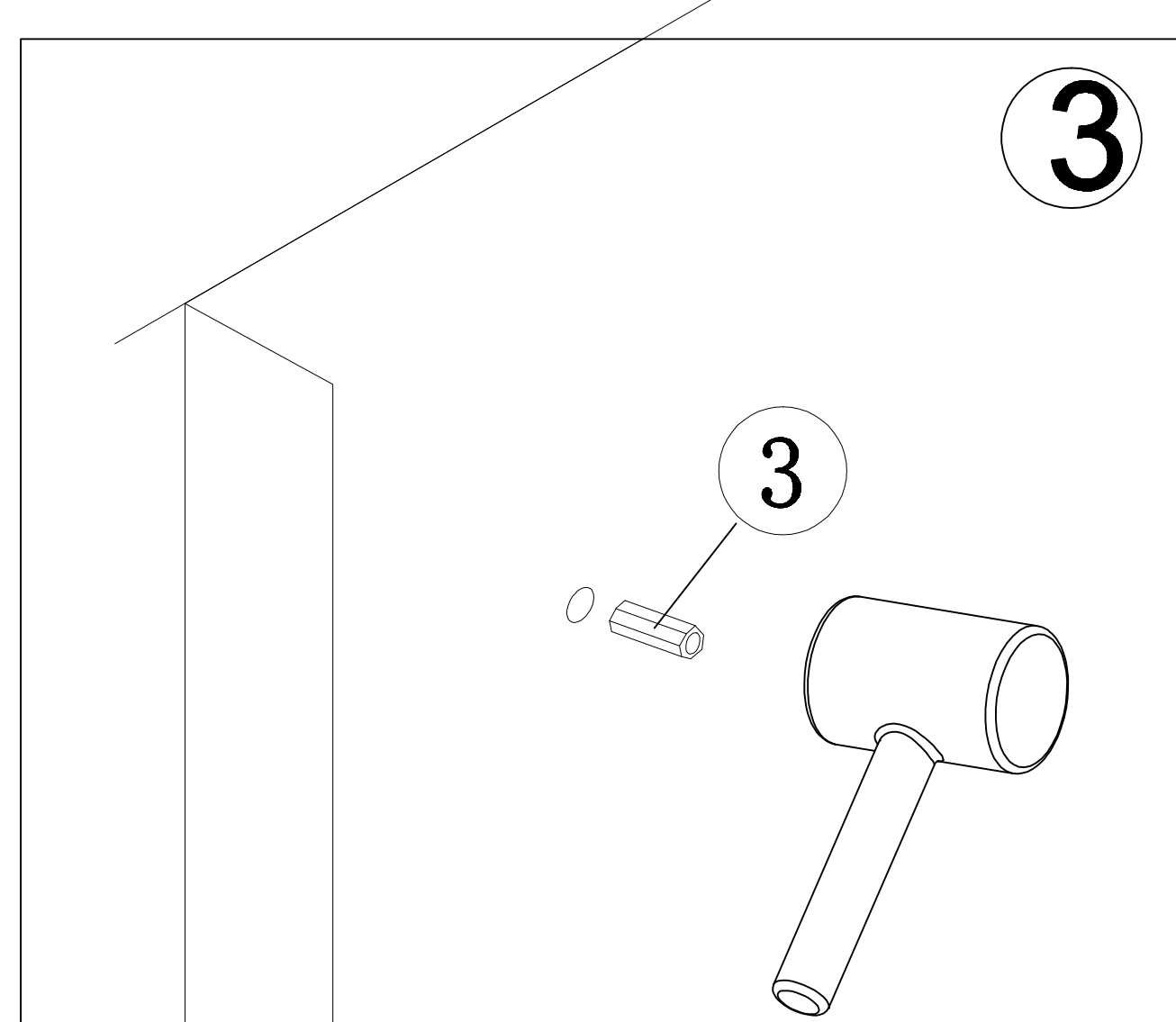
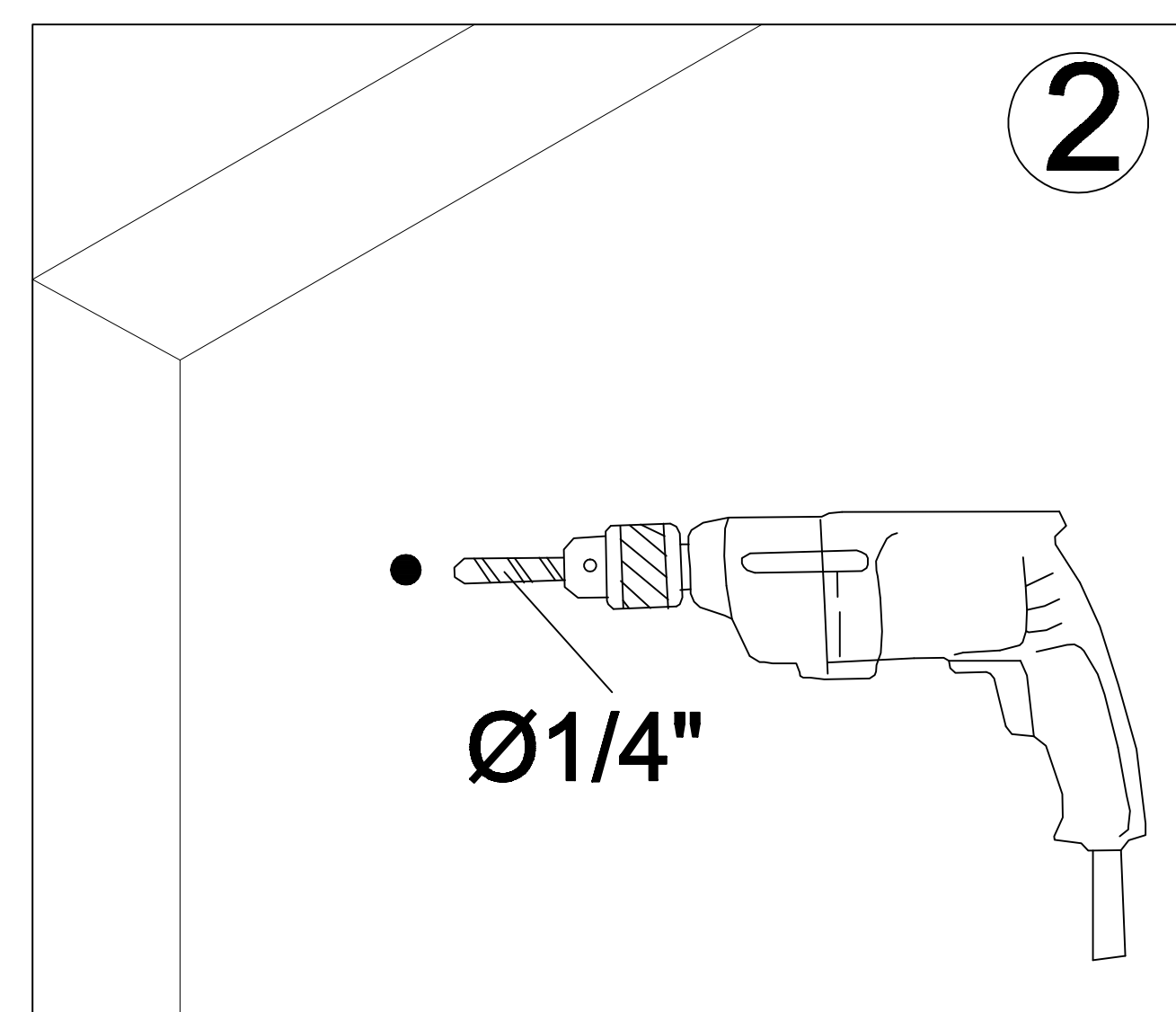
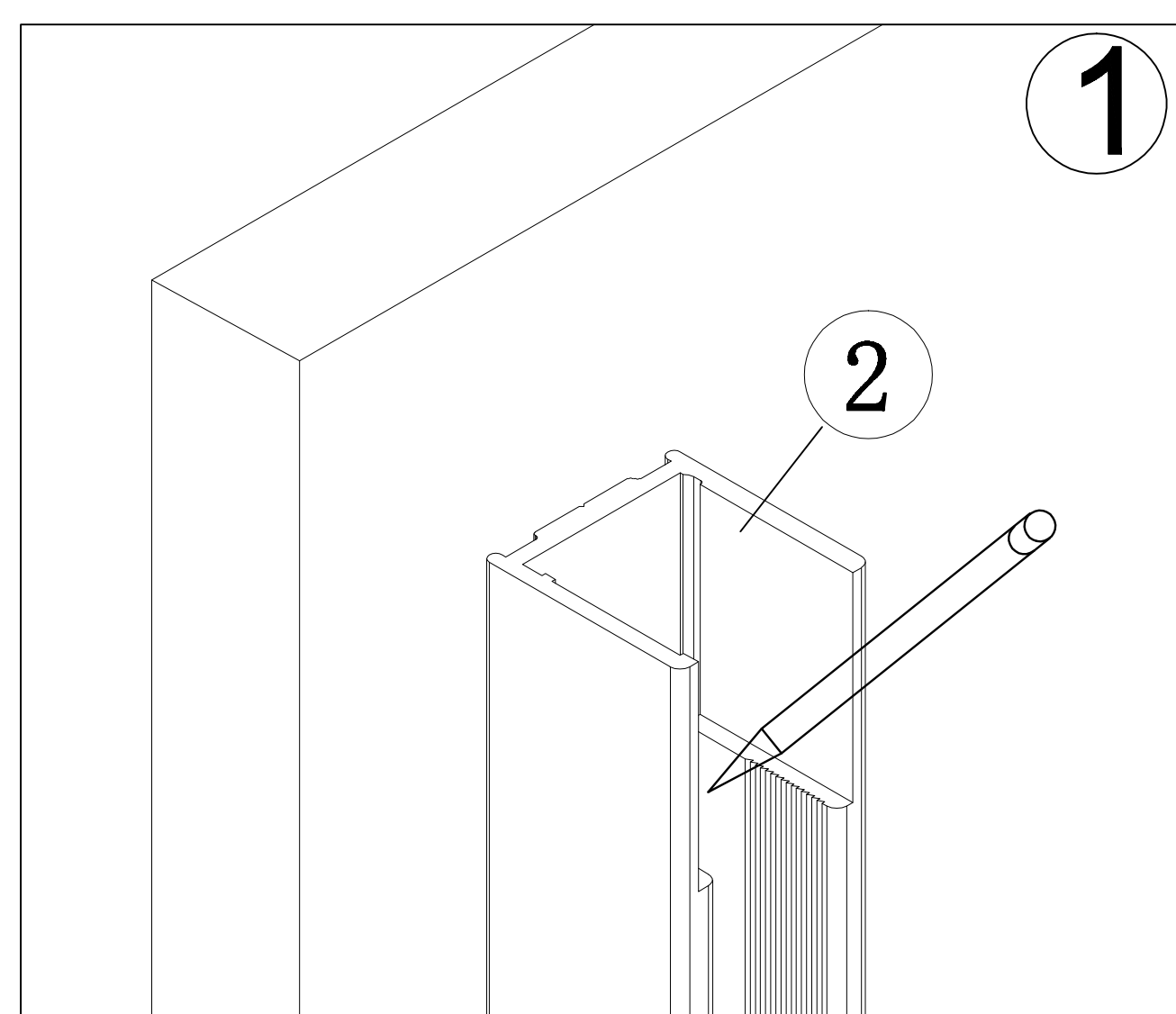
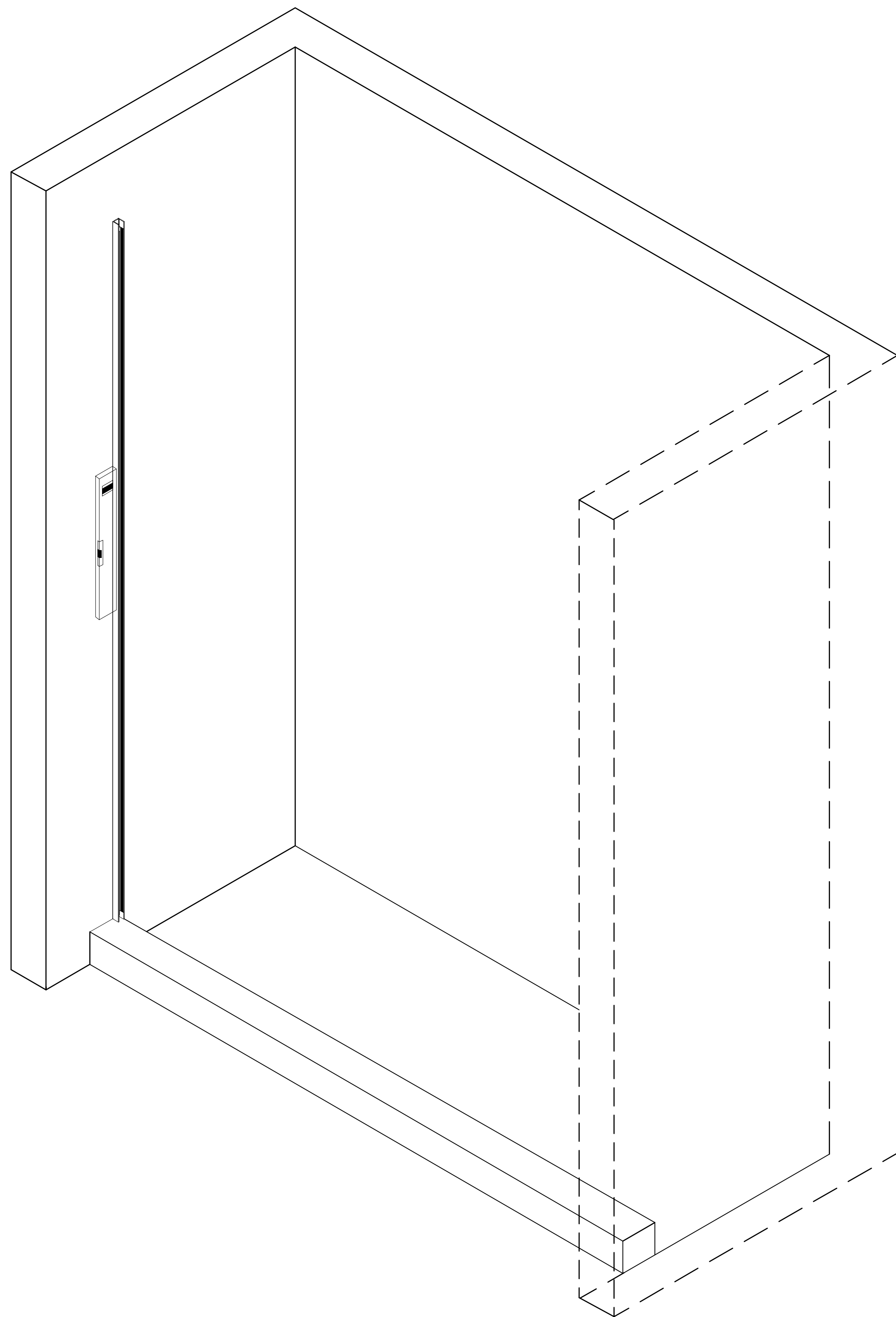
\*Utilize Safety Glasses and Safety Gloves when constructing this shower door\*



## Left Hand Assembly

### STEP 1

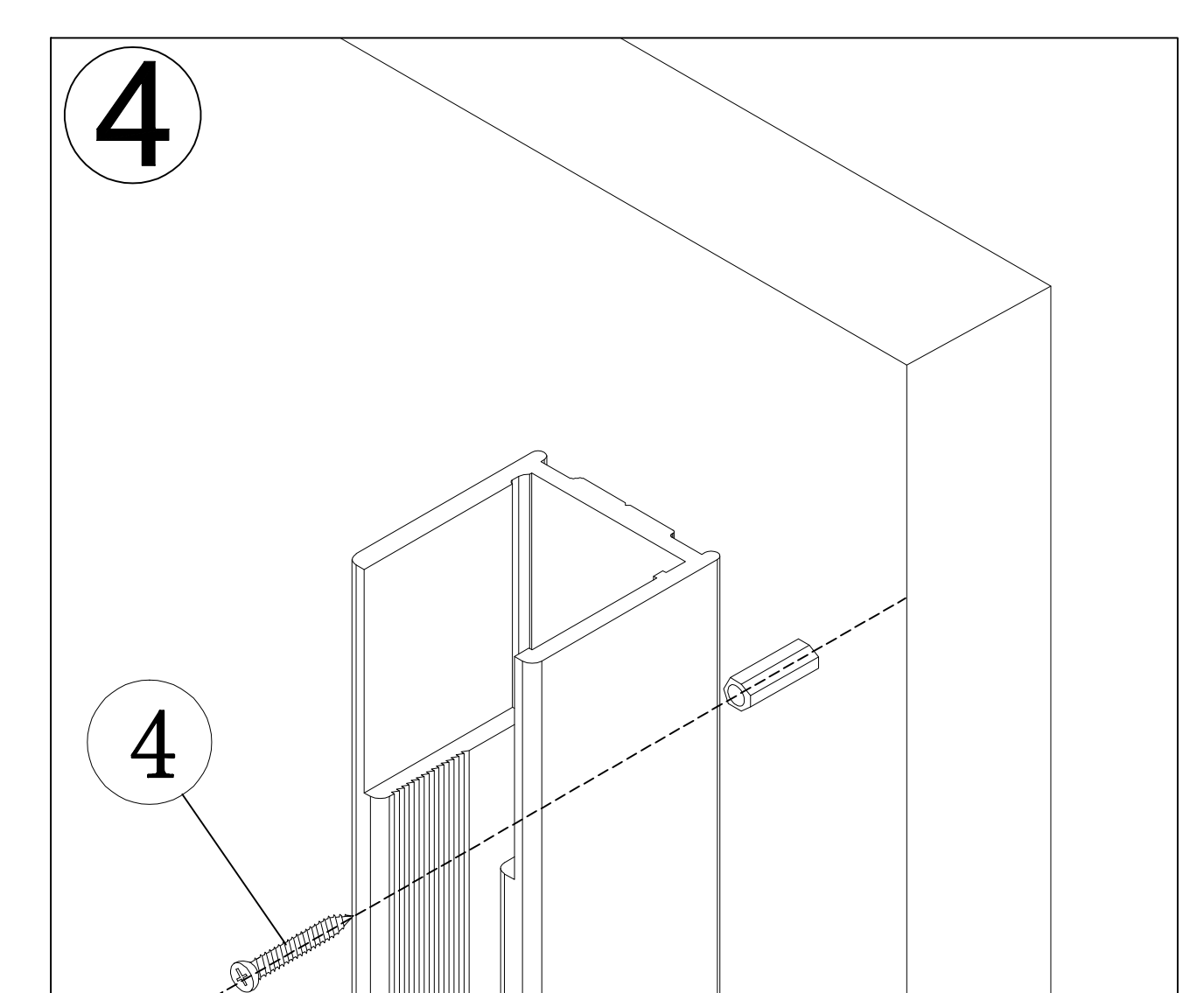
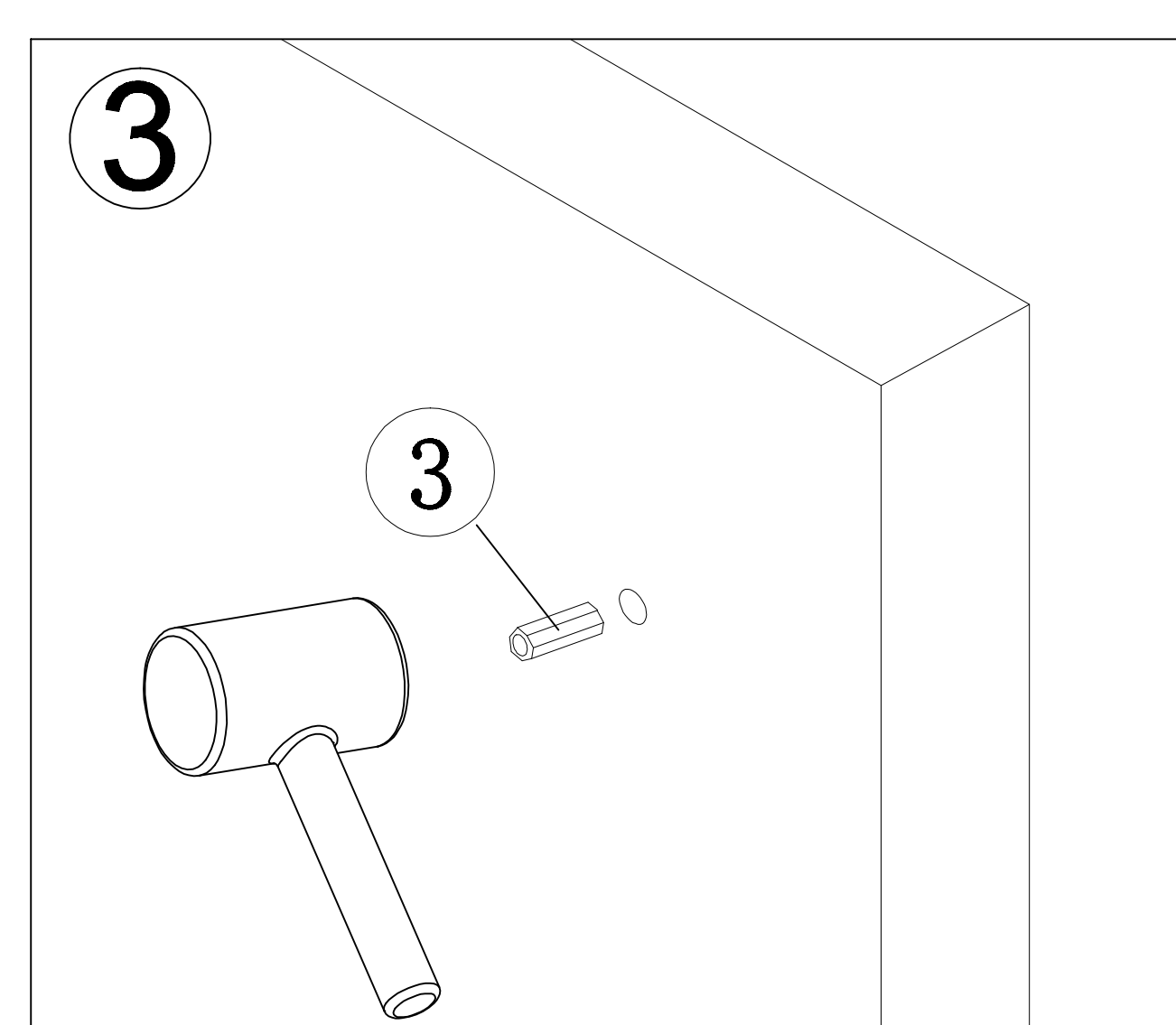
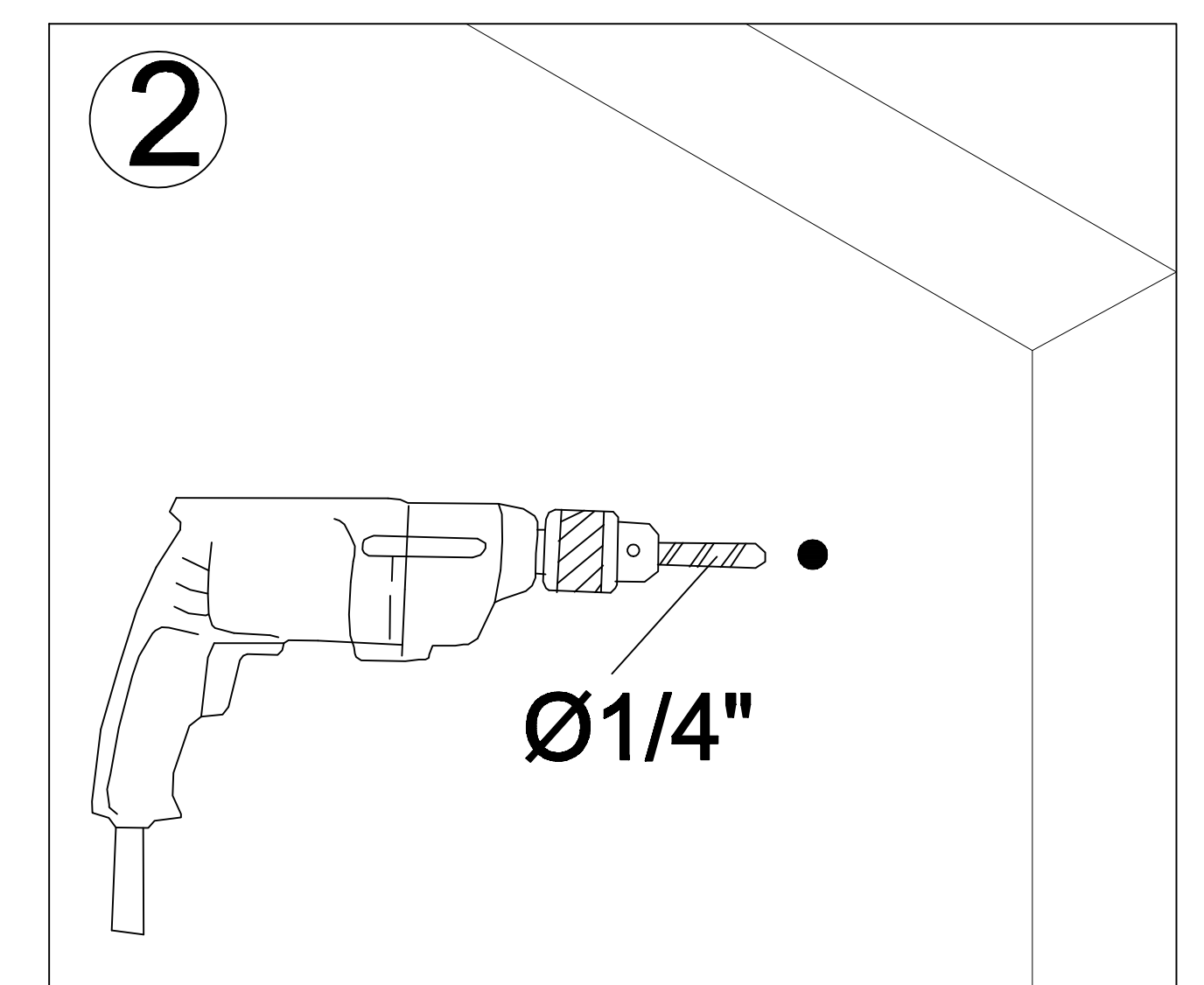
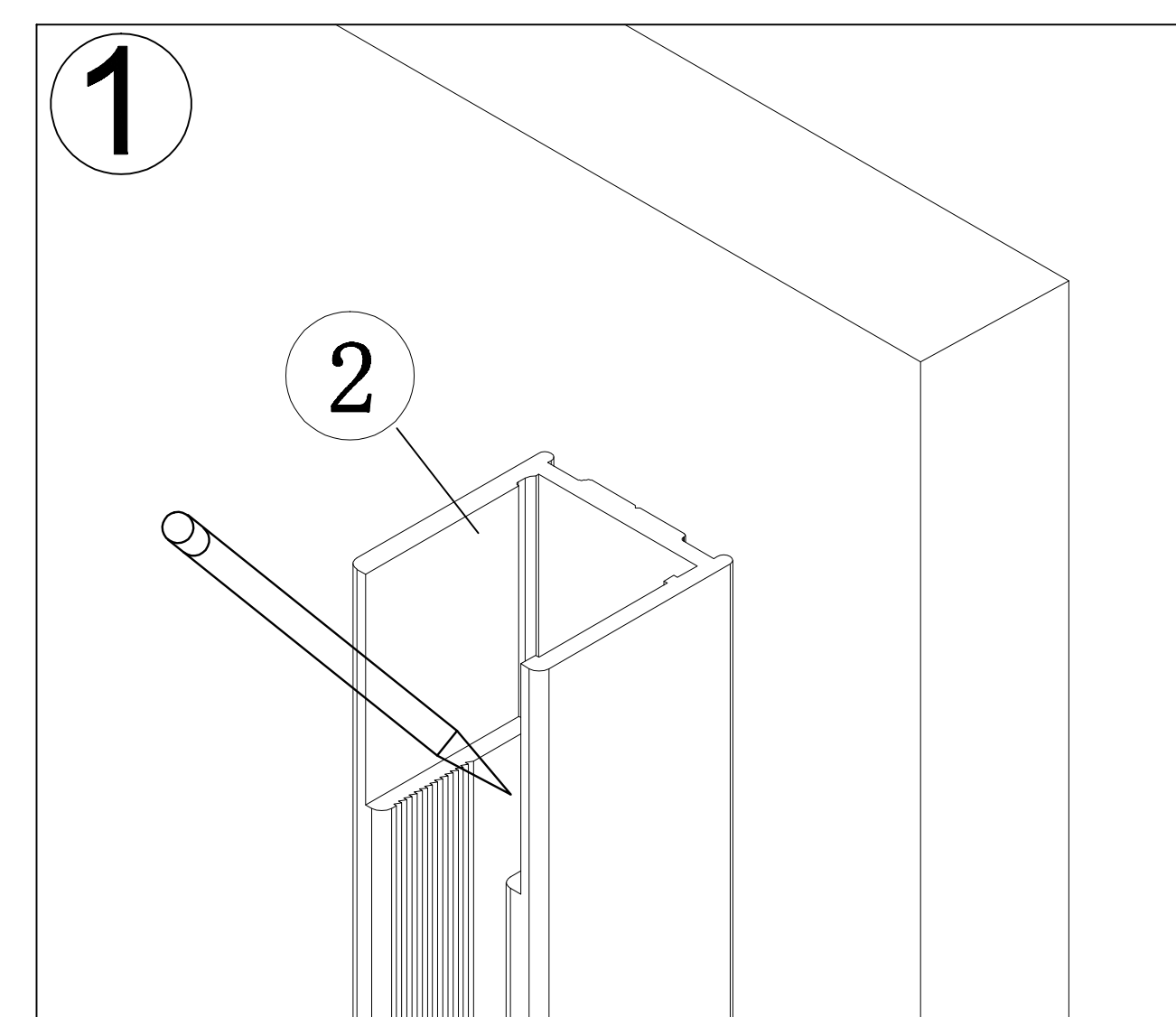
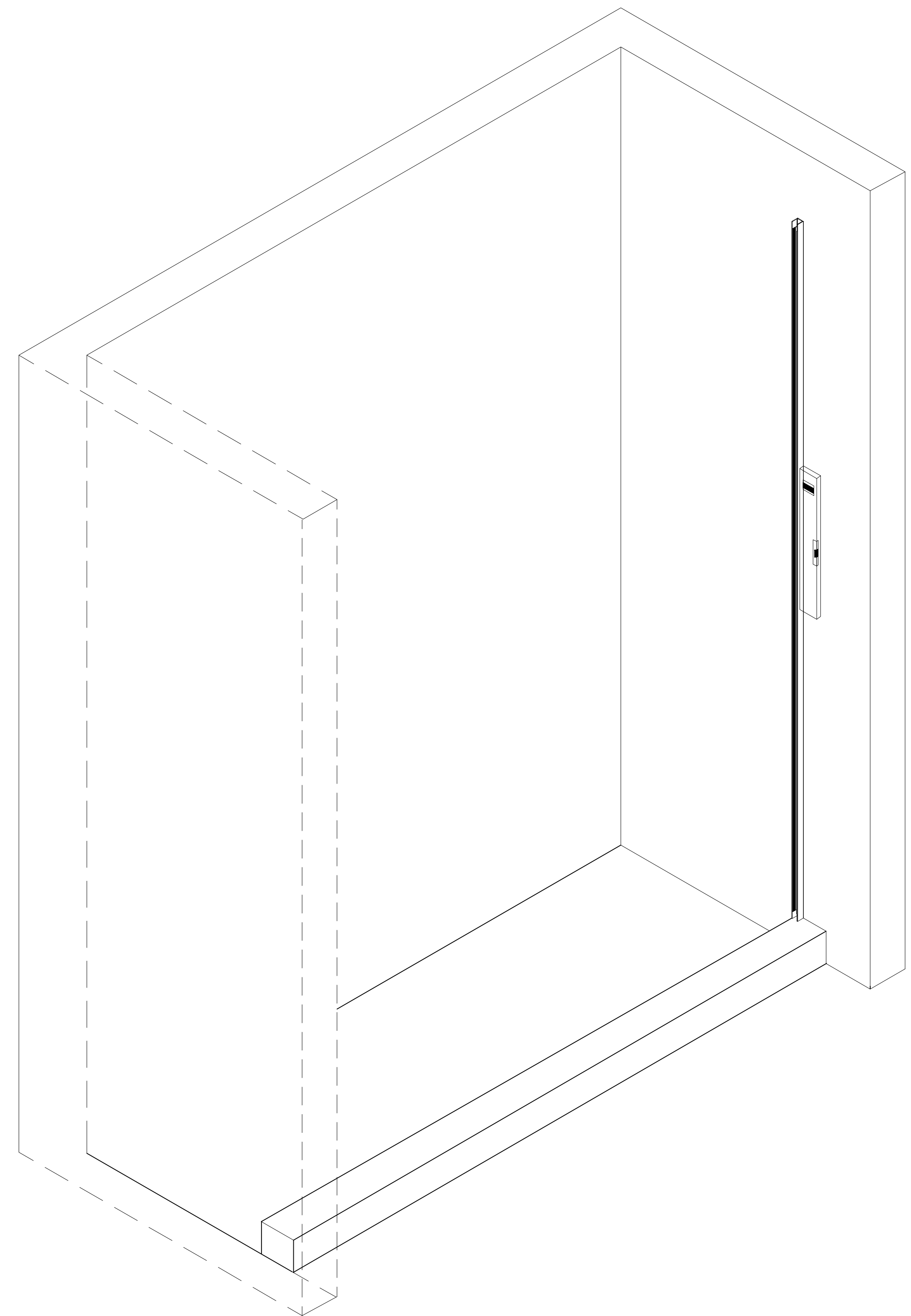
1. Use level to make sure Wall bracket A(2) sit straight, then mark the hole position with pencil.
2. Take off the Wall bracket A(2) and drill through the pencil markings.
3. Insert the plug(3) into the hole and use Rubber Mallet to hit it until it's fully in.
4. Align and use screw 4x30(4) to screw tight the Wall bracket A(2).



## Right Hand Assembly

### STEP 1

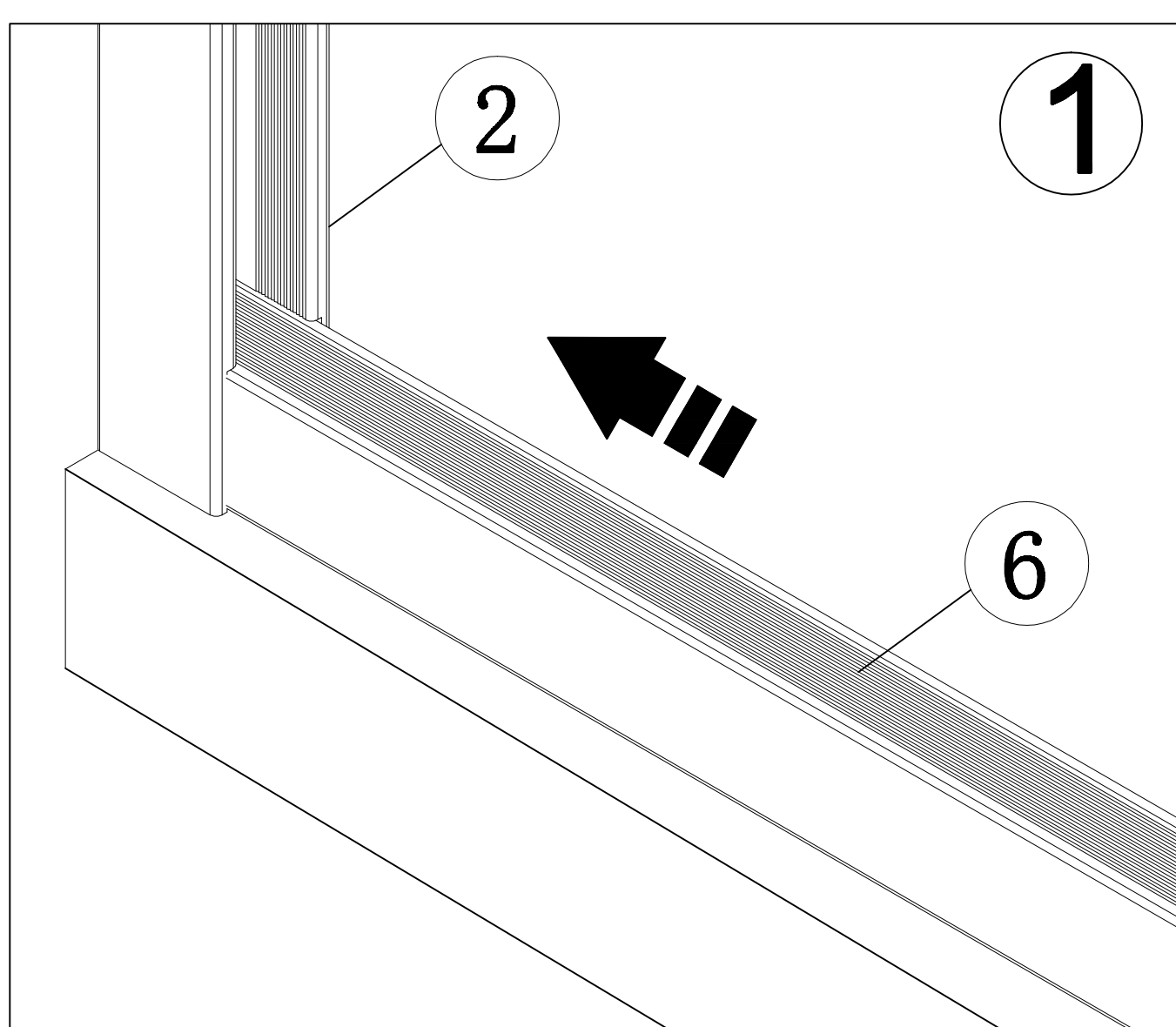
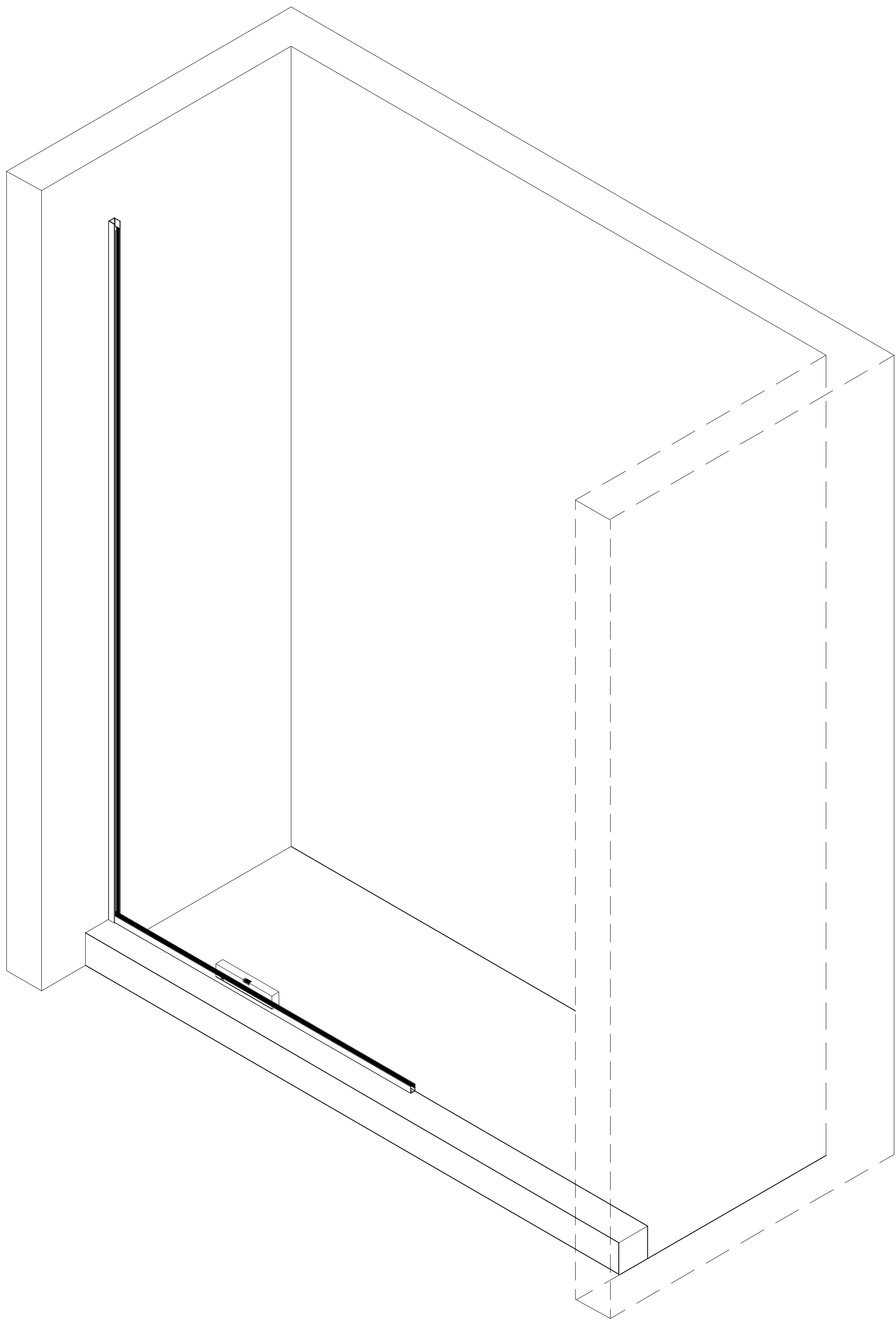
1. Use level to make sure Wall bracket A(2) sit straight, then mark the hole position with pencil.
2. Take off the Wall bracket A(2) and drill through the pencil markings.
3. Insert the plug(3) into the hole and use Rubber Mallet to hit it until it's fully in.
4. Align and use screw 4x30(4) to screw tight the Wall bracket A(2).



## Left Hand Assembly

### STEP 2

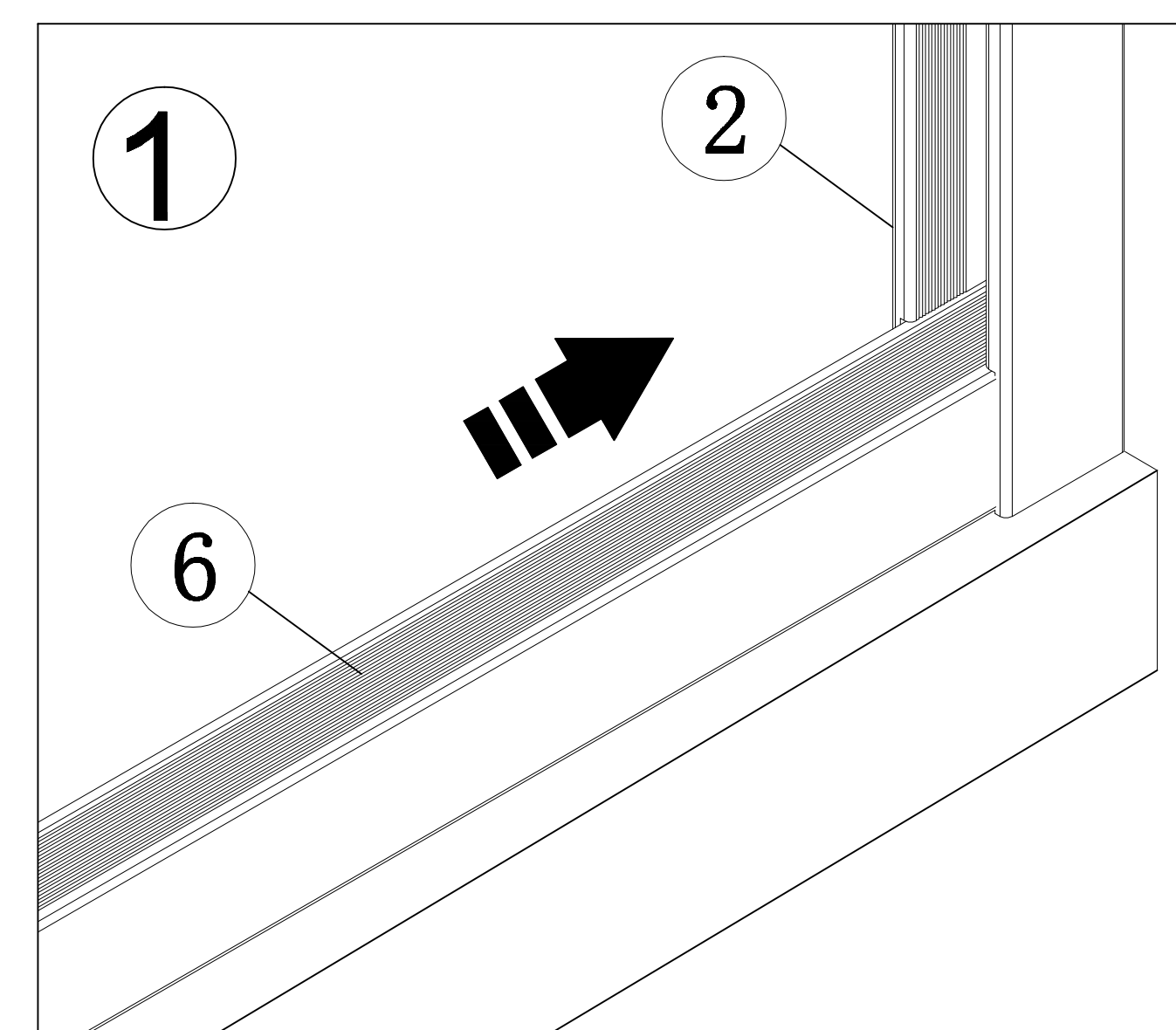
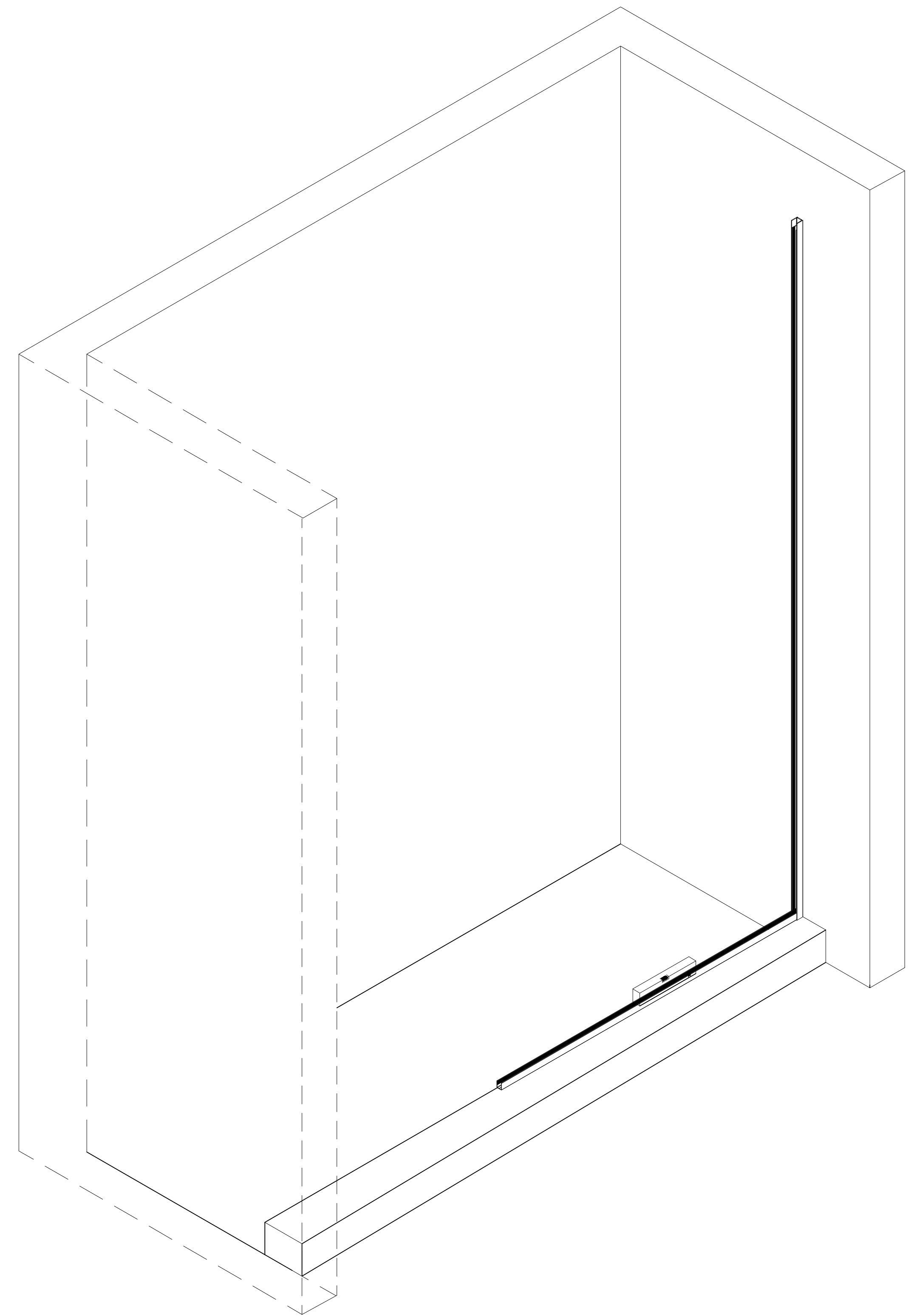
1. Put Bottom aluminum U channel(6) on the shower base and push it into the bottom slot of Wall bracket A(2).



## Right Hand Assembly

### STEP 2

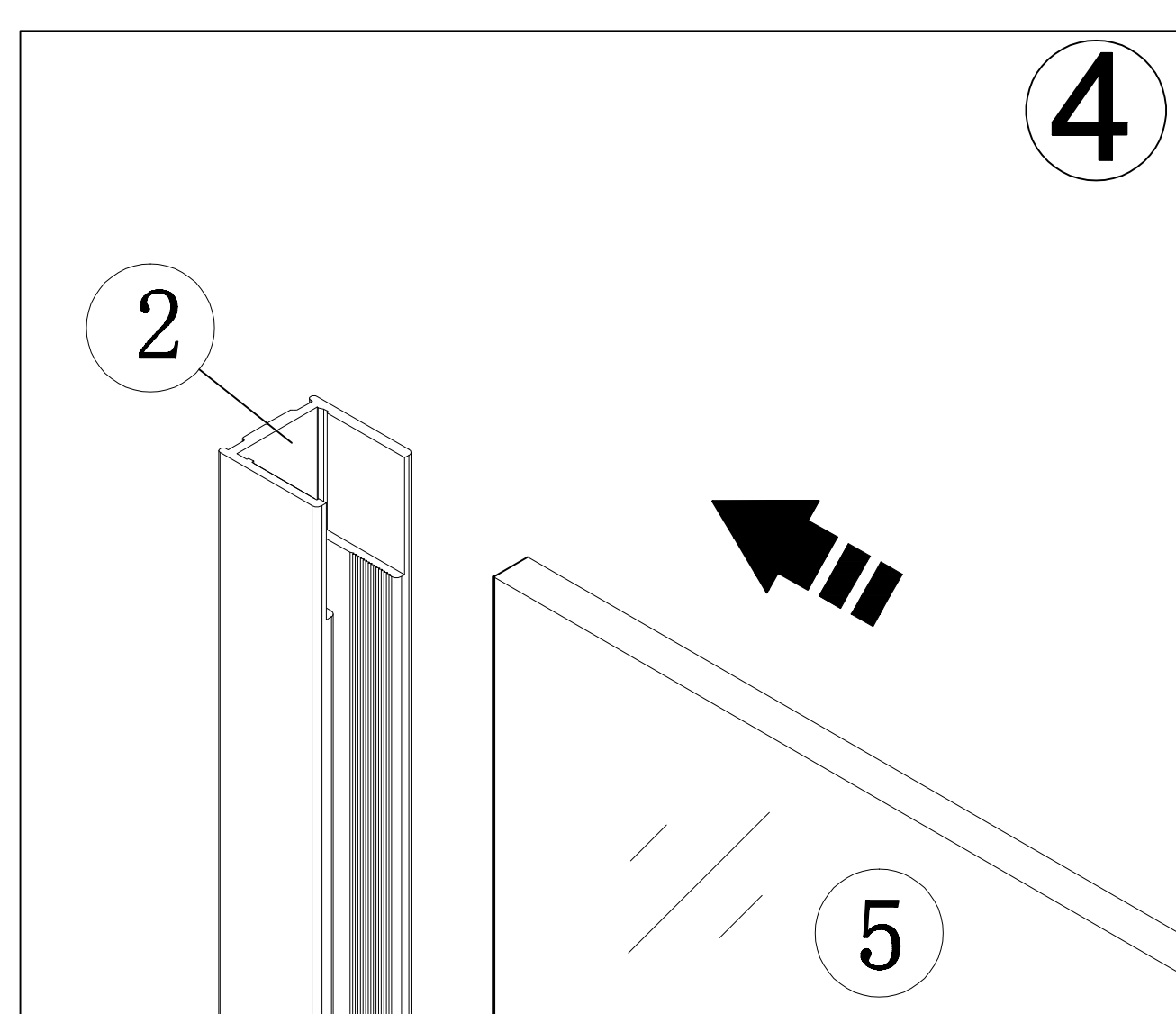
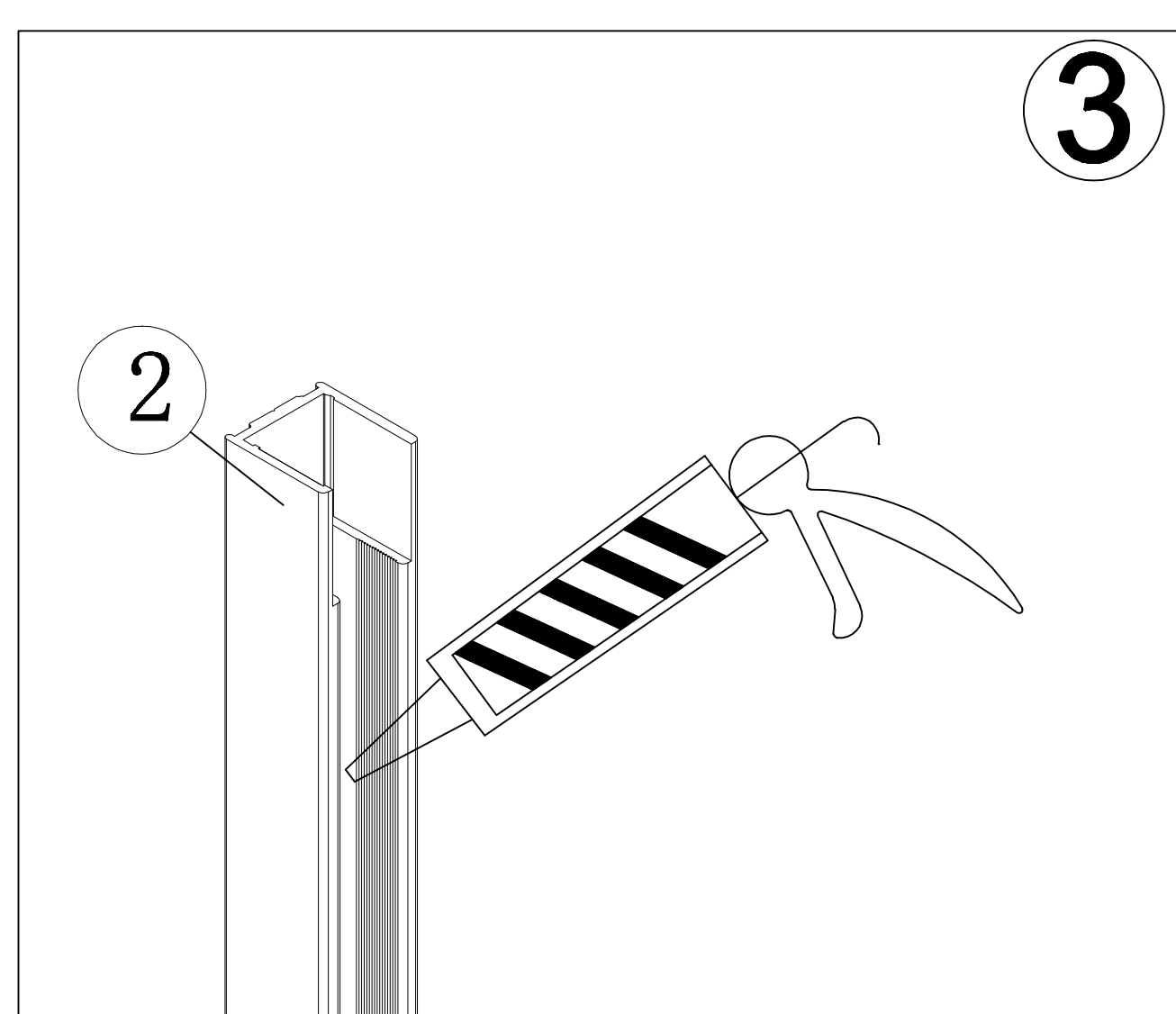
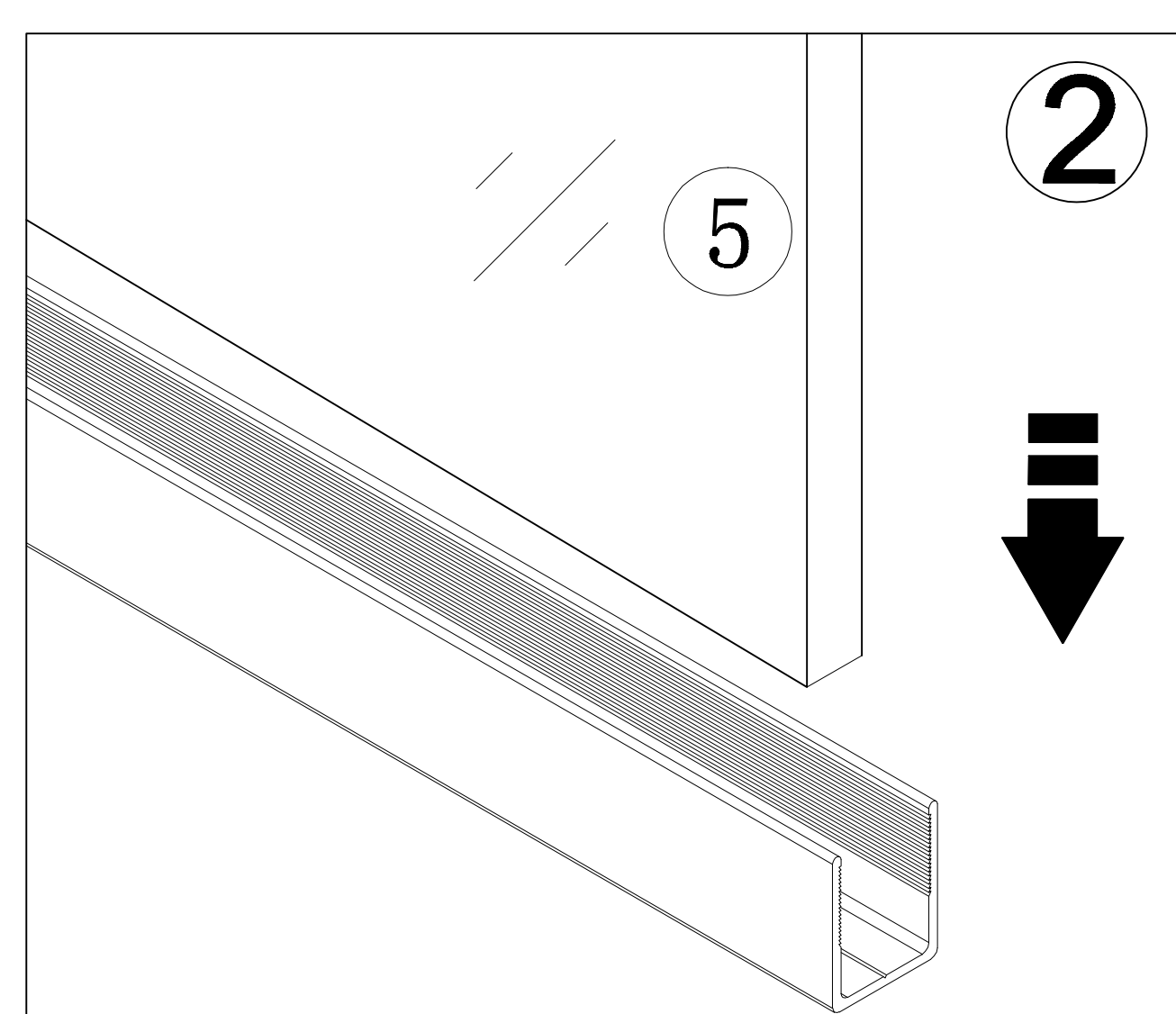
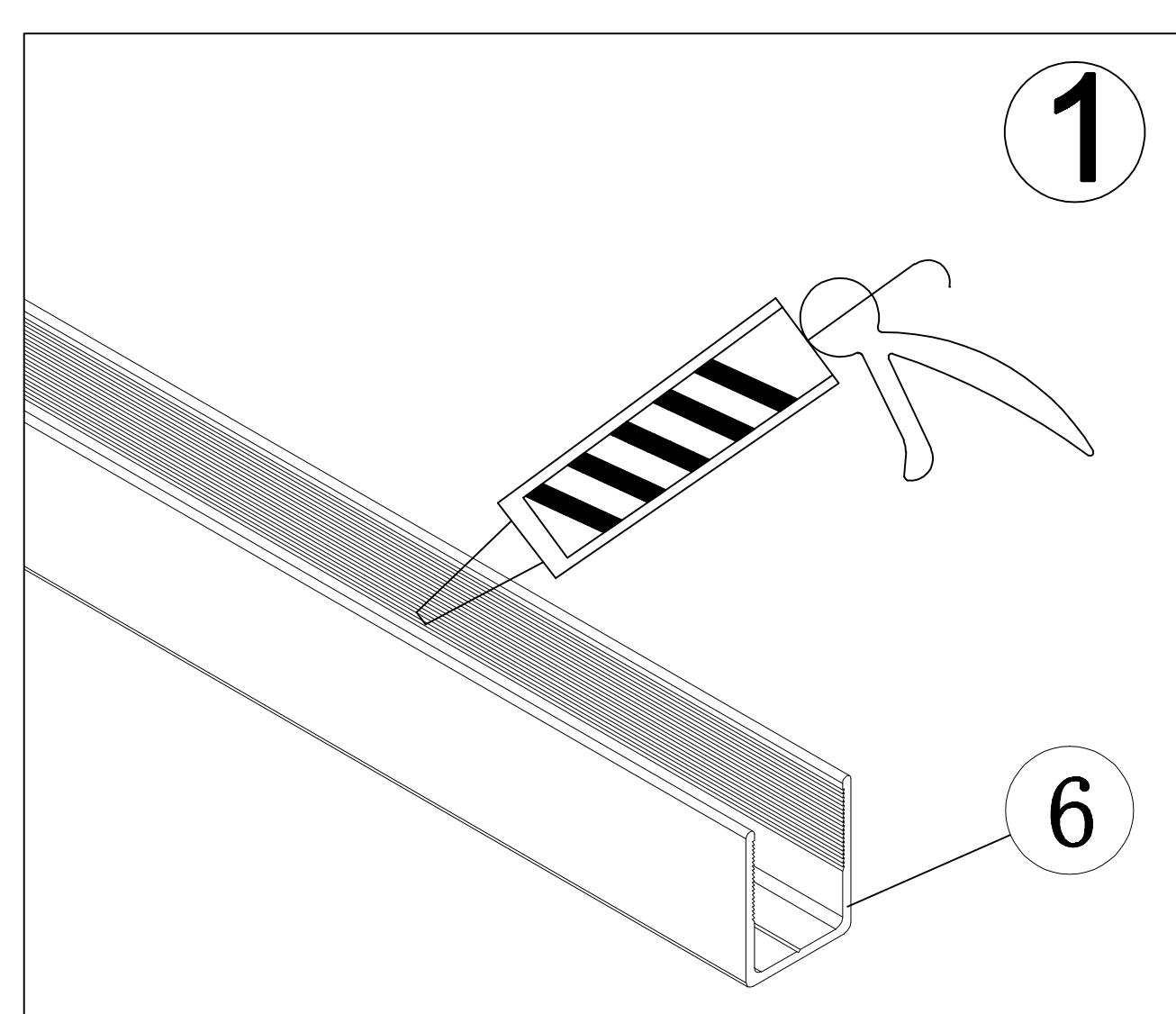
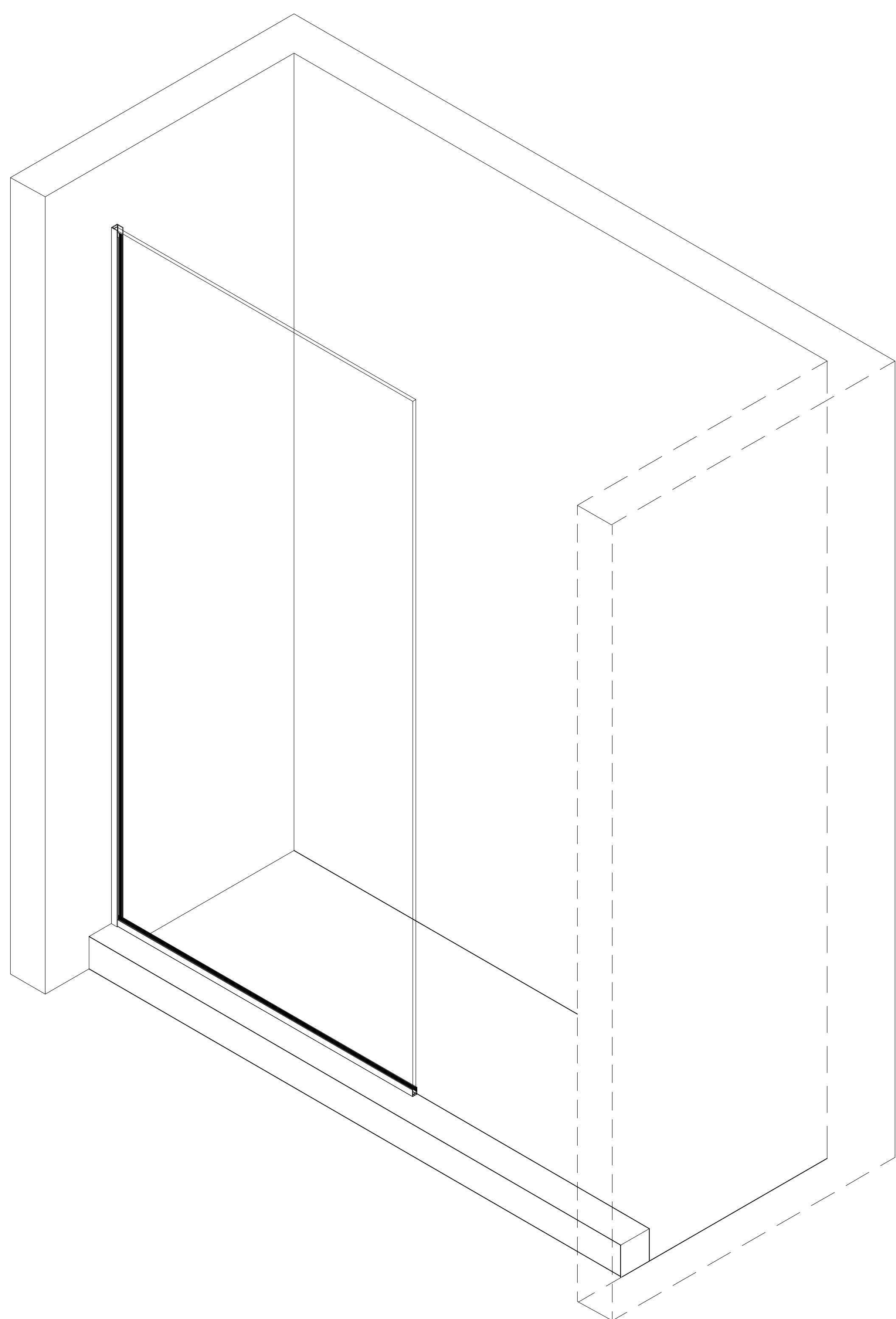
1. Put Bottom aluminum U channel(6) on the shower base and push it into the bottom slot of Wall bracket A(2).



## Left Hand Assembly

### STEP 3

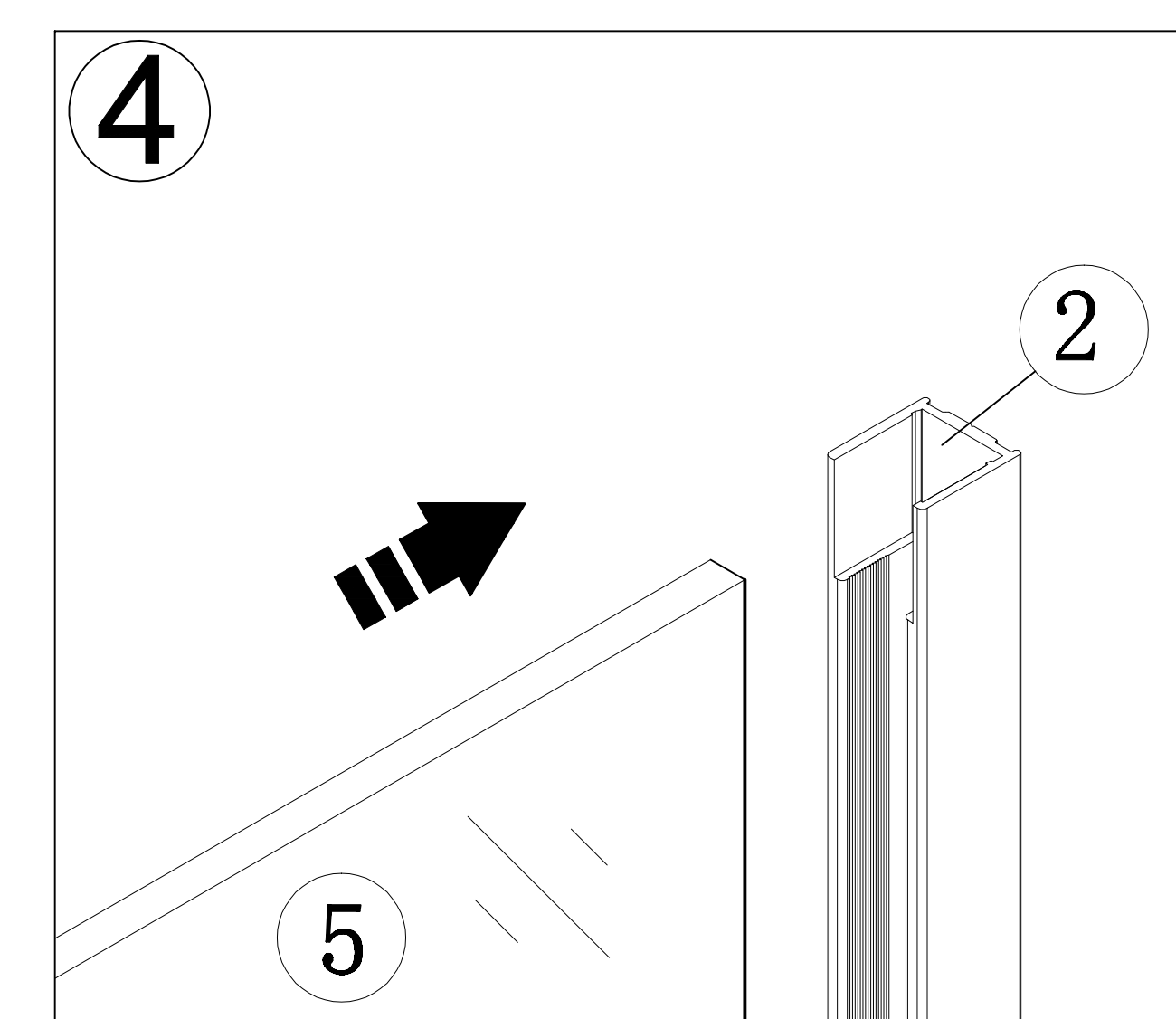
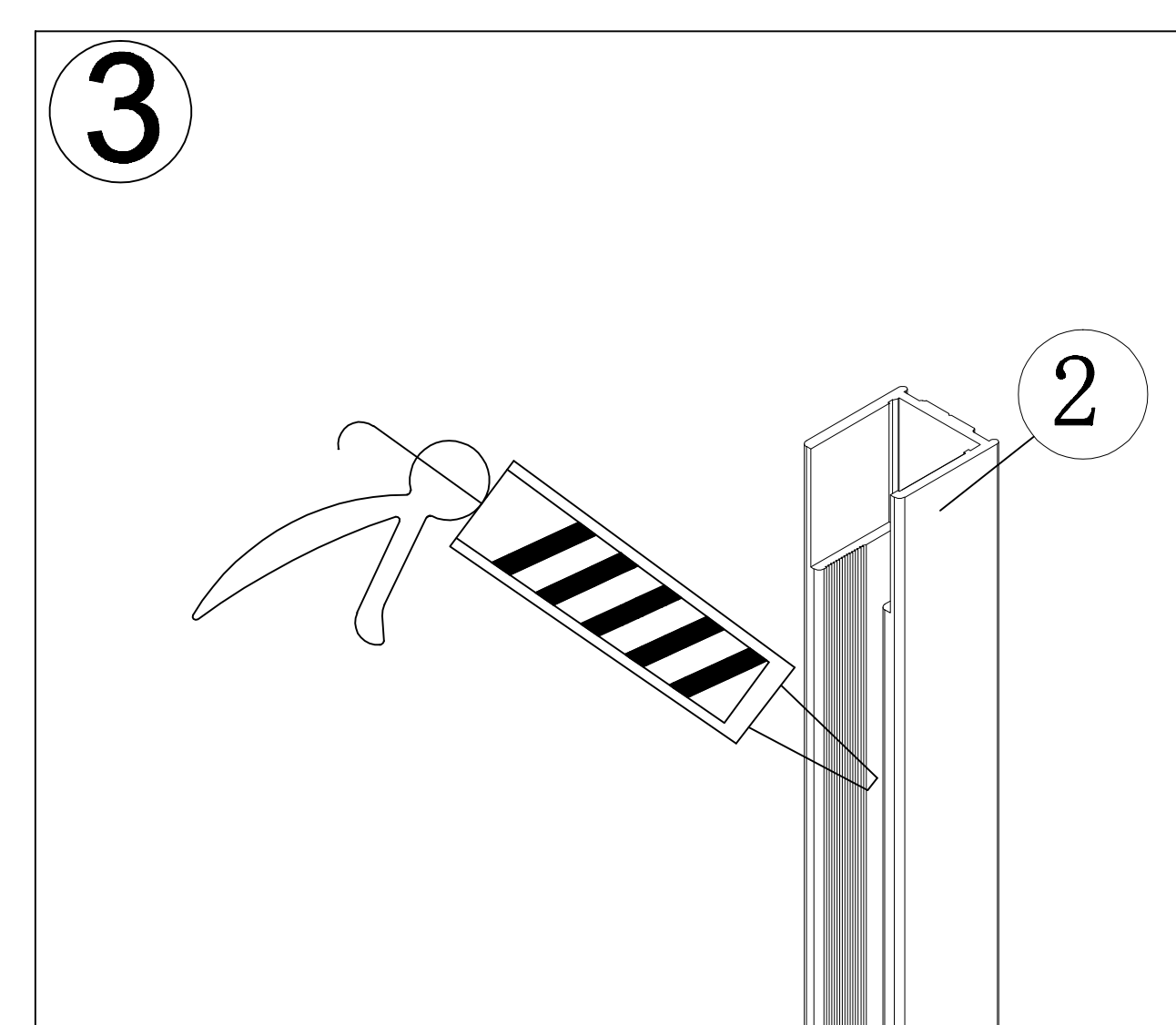
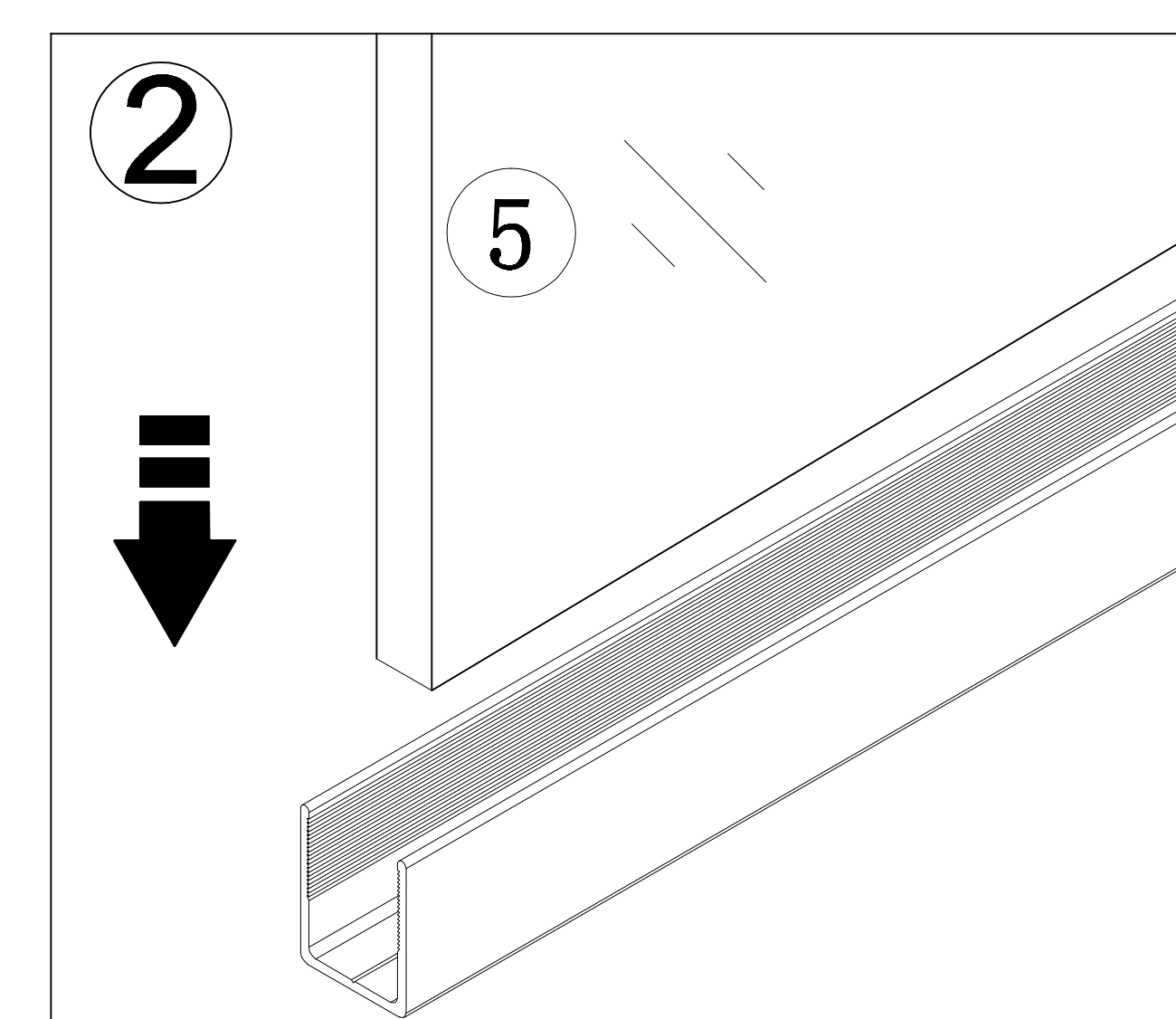
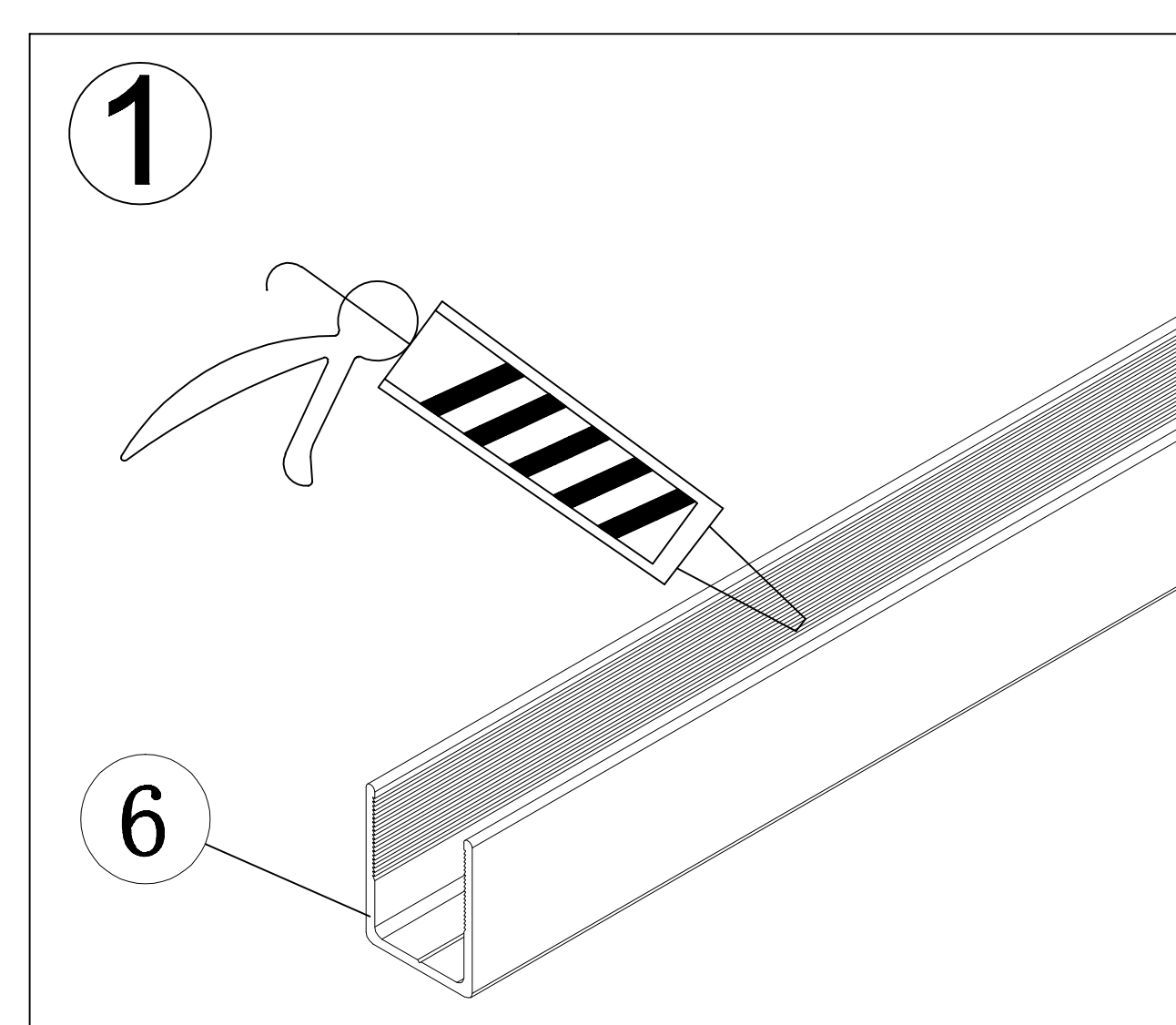
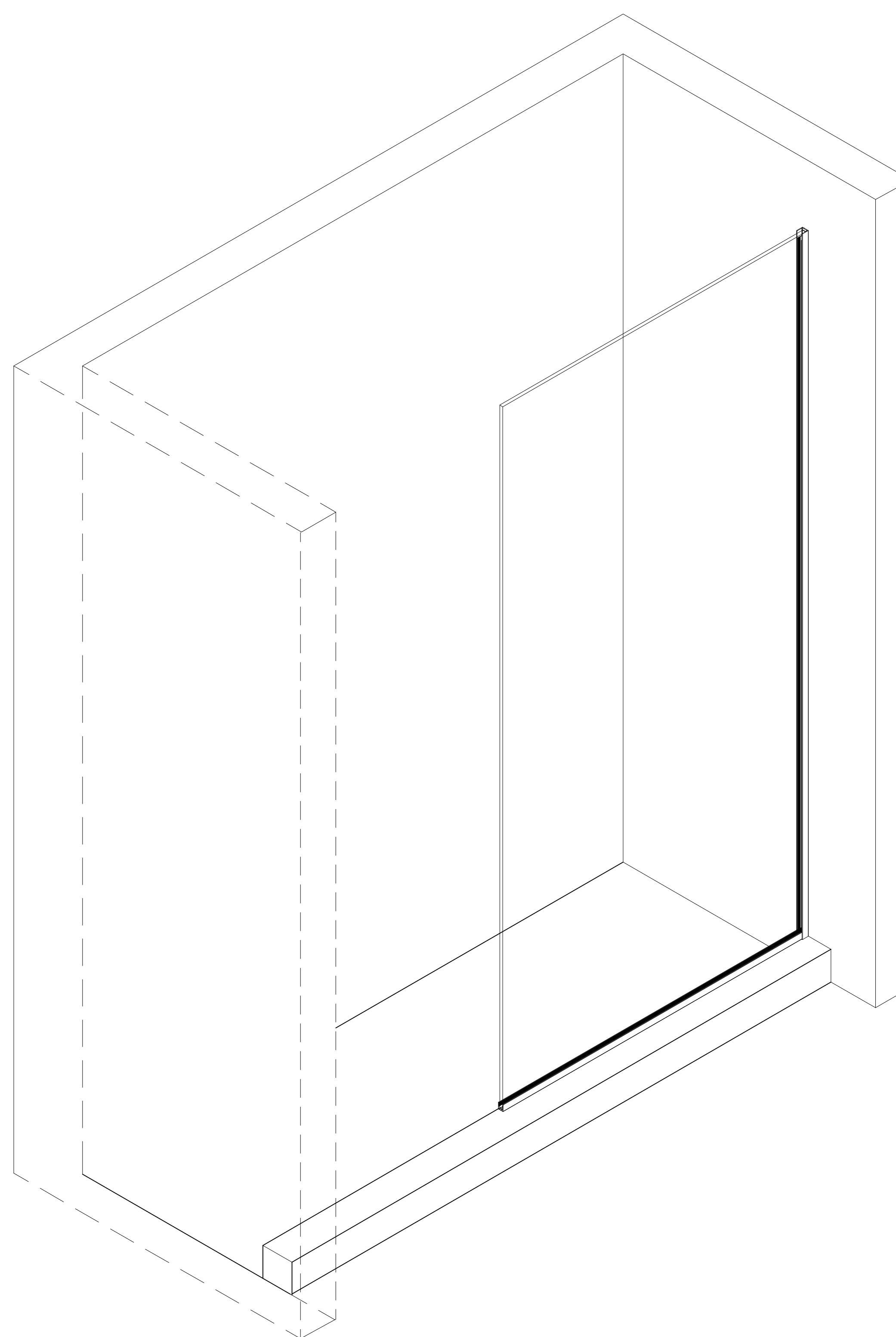
1. Fill the Bottom aluminum U channel(6) with a small amount of silicone.
2. Insert the glass shower screen(5) into Bottom aluminum U channel(6).
3. Fill the inner groove of wall bracket A(2) with a small amount of silicone.
4. Insert the glass shower screen(5) into wall bracket A(2).



## Right Hand Assembly

### STEP 3

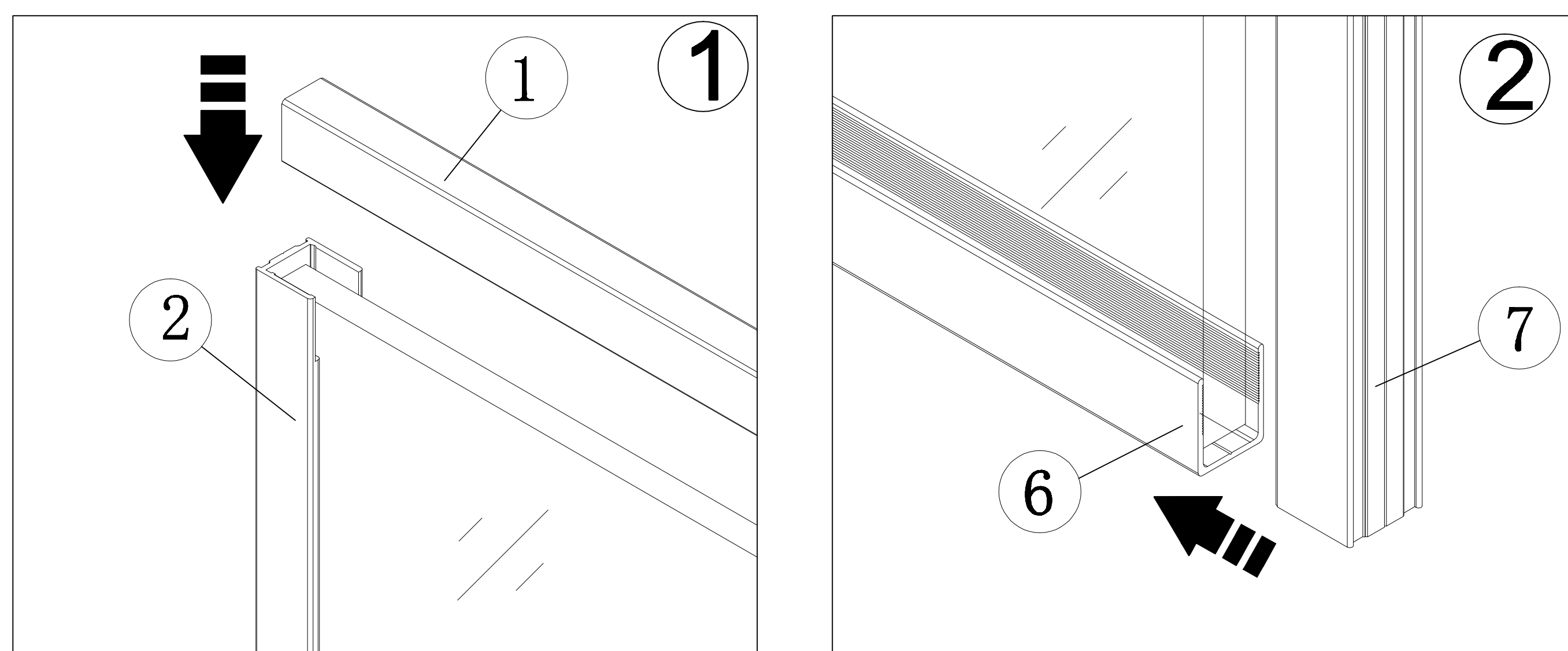
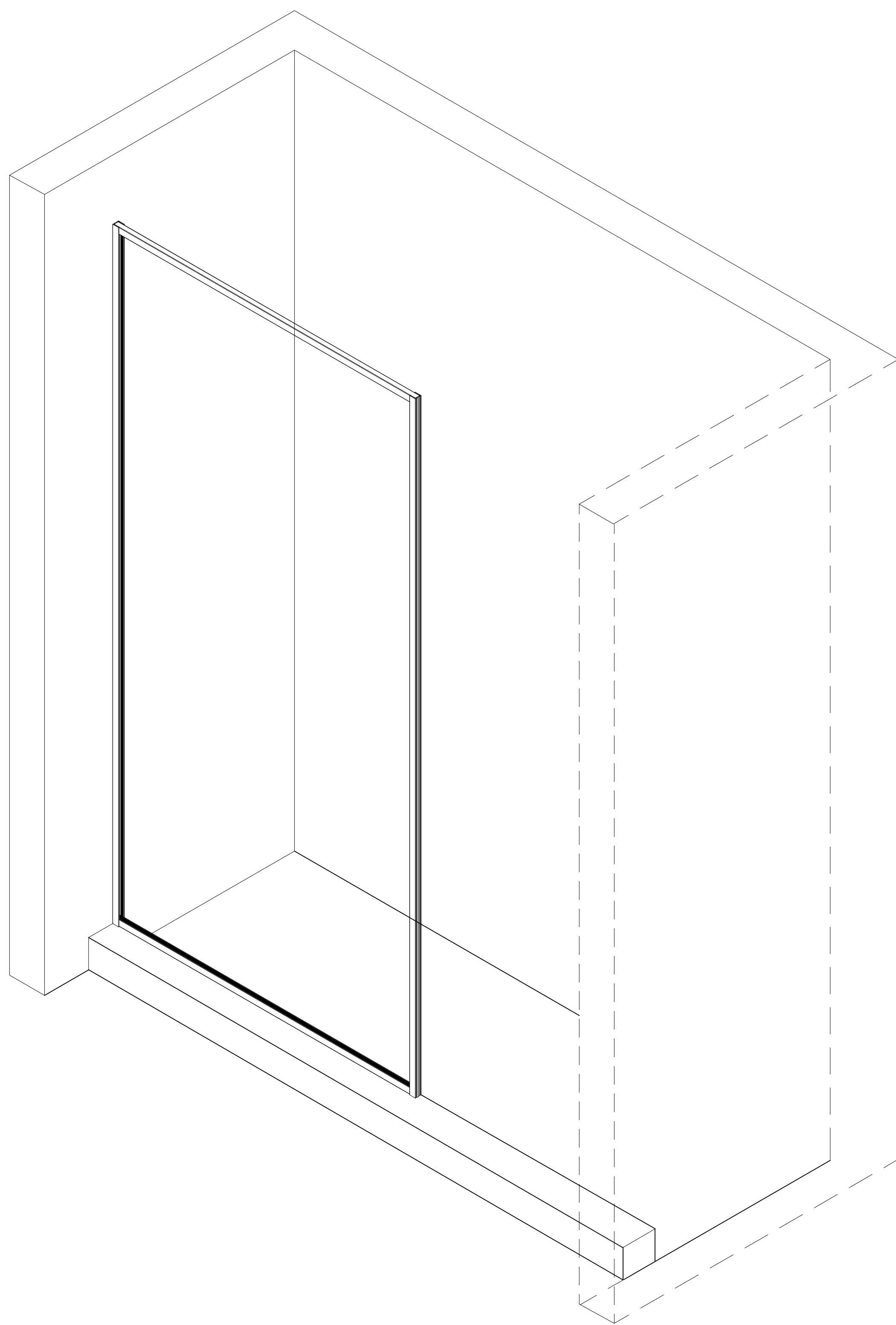
1. Fill the bottom of Bottom aluminum U channel(6) with a small amount of silicone.
2. Insert the glass shower screen(5) into Bottom aluminum U channel(6).
3. Fill the inner groove of wall bracket A(2) with a small amount of silicone.
4. Insert the glass shower screen(5) into wall bracket A(2).



## Left Hand Assembly

### STEP 4

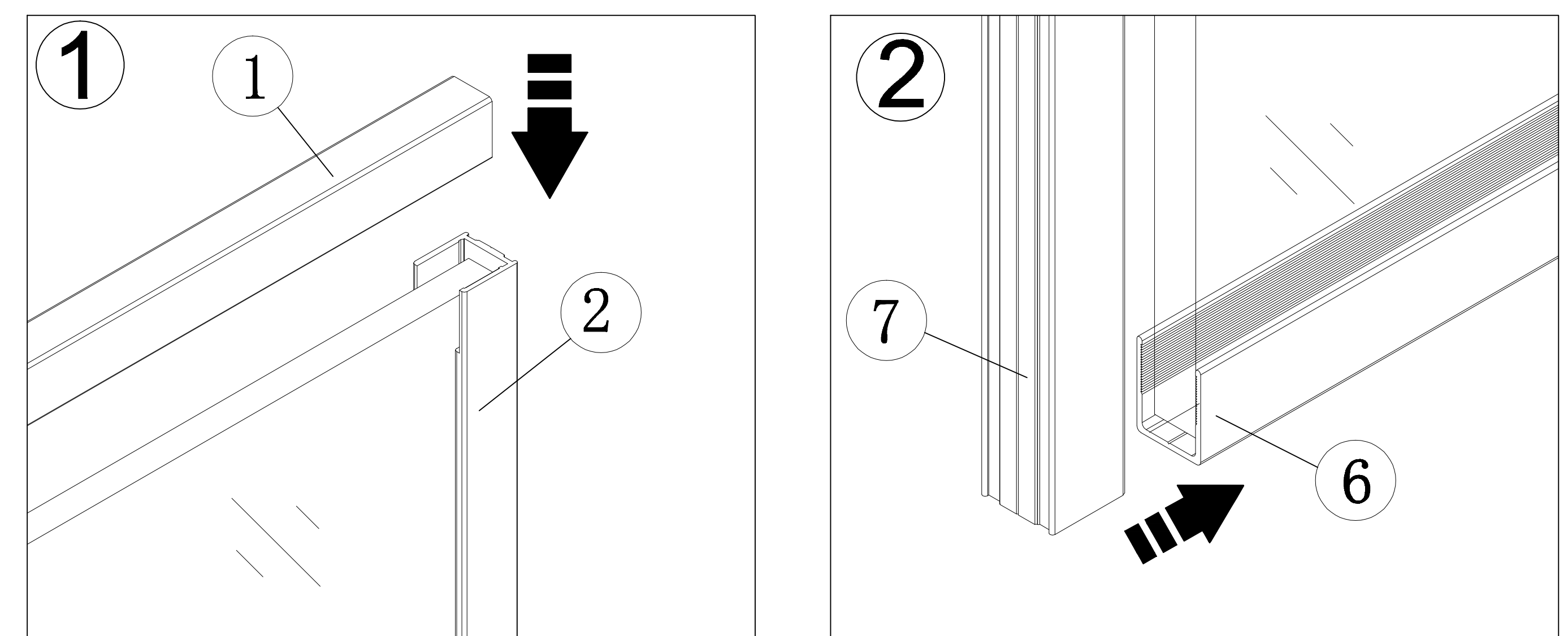
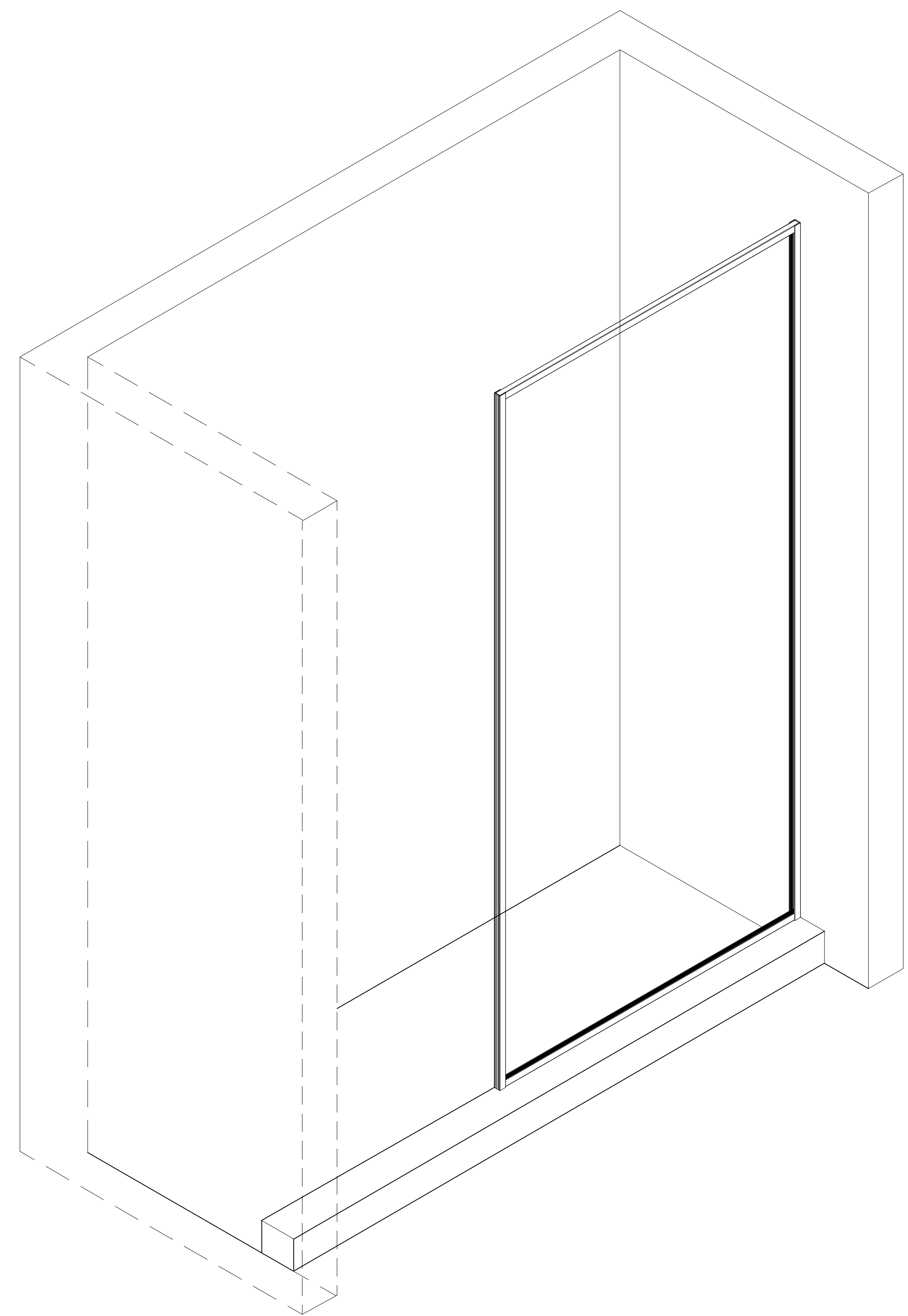
1. Push Top aluminum U channel(1) into Wall bracket A(2).
2. Insert wall bracket B(7) into Bottom aluminum U channel(6).



## Right Hand Assembly

### STEP 4

1. Push Top aluminum U channel(1) into Wall bracket A(2).
2. Insert wall bracket B(7) into Bottom aluminum U channel(6).

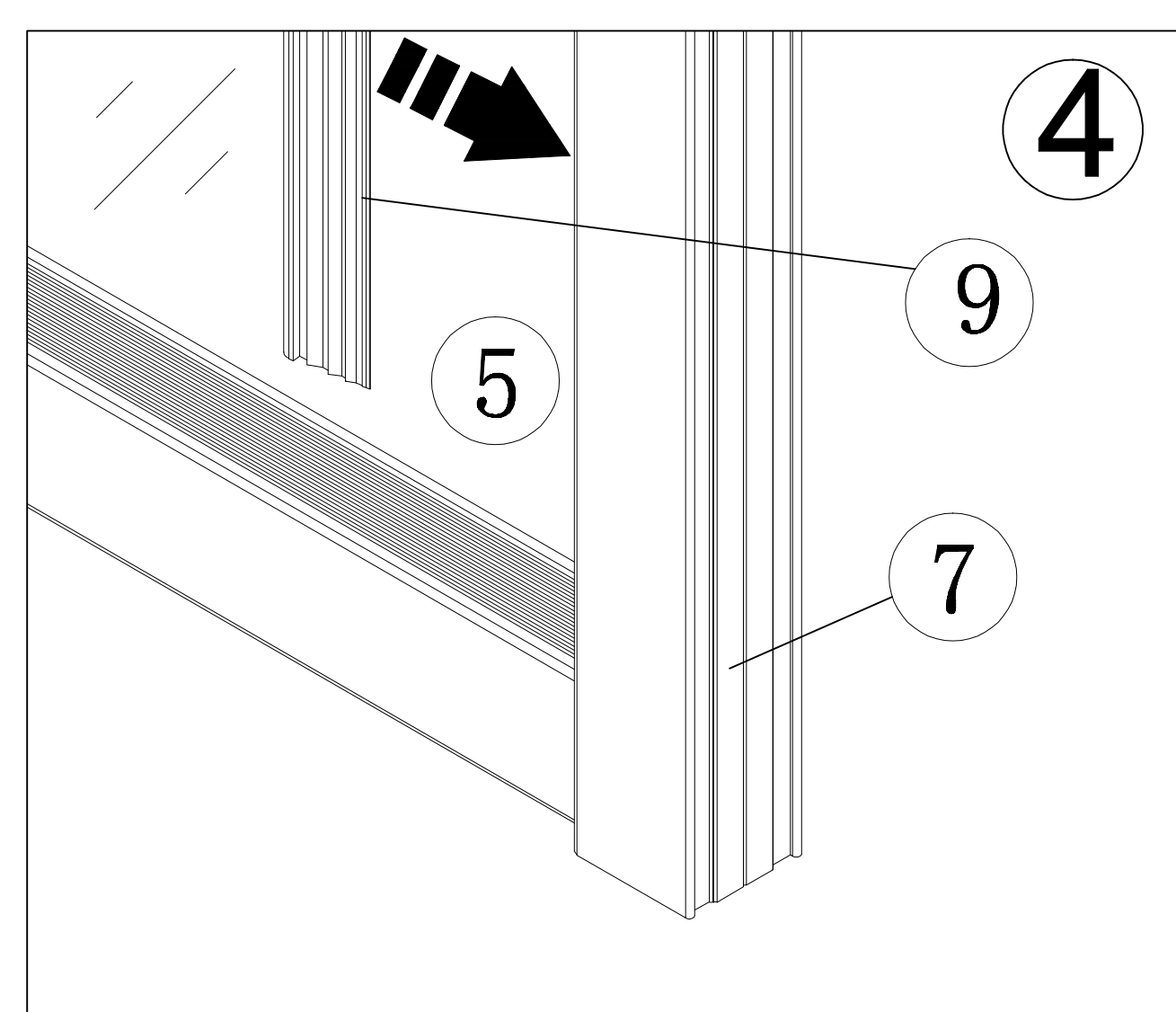
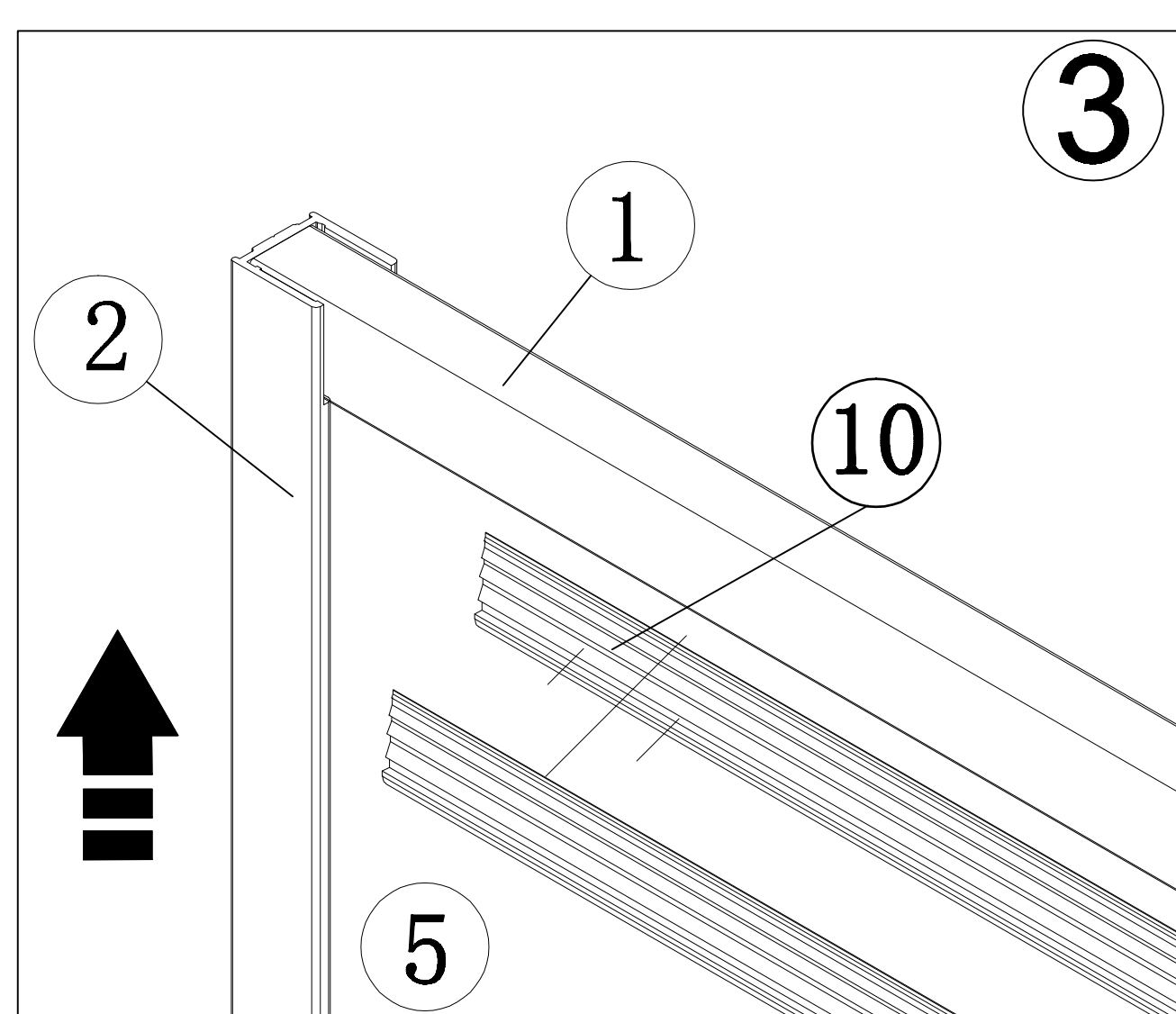
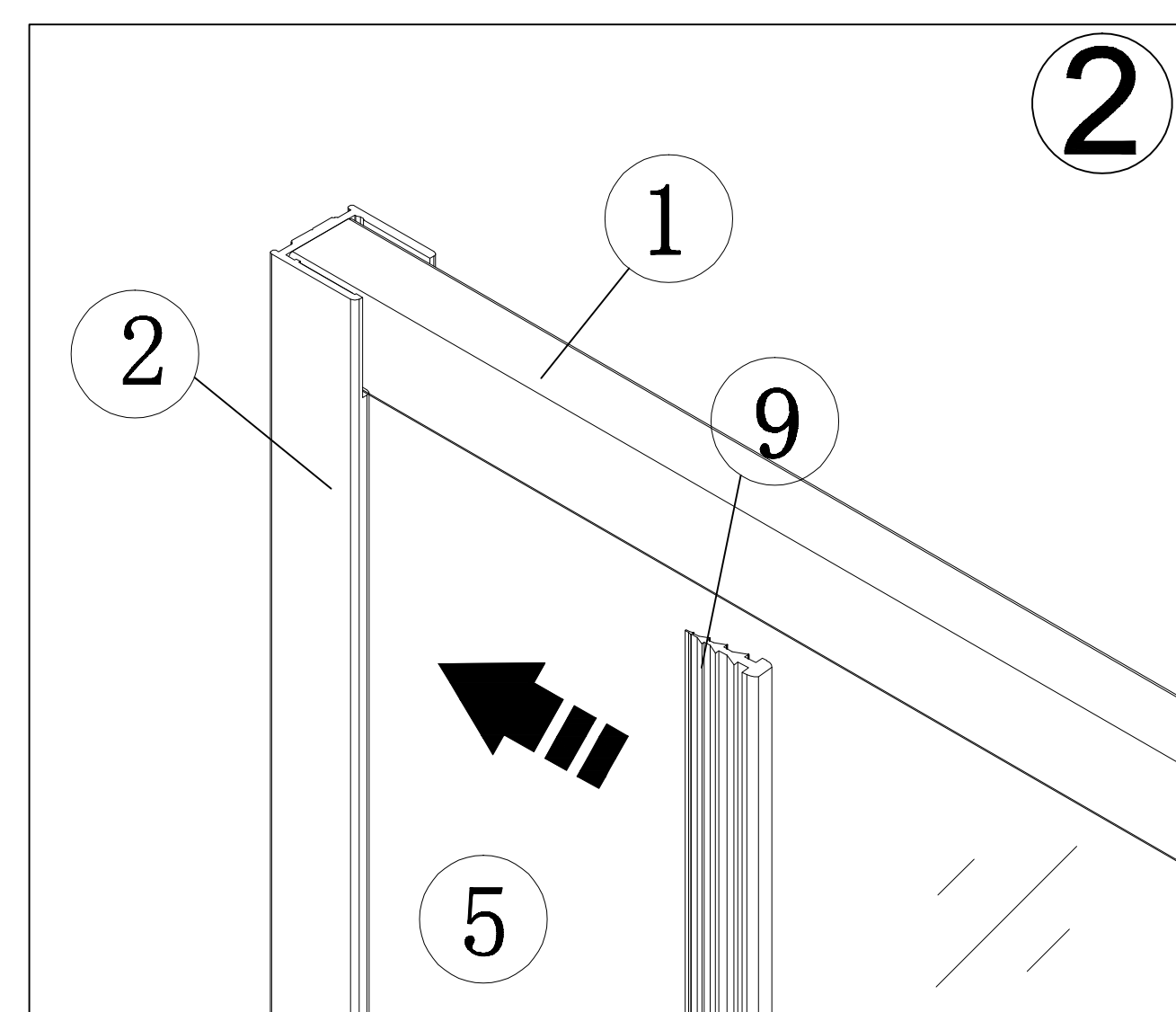
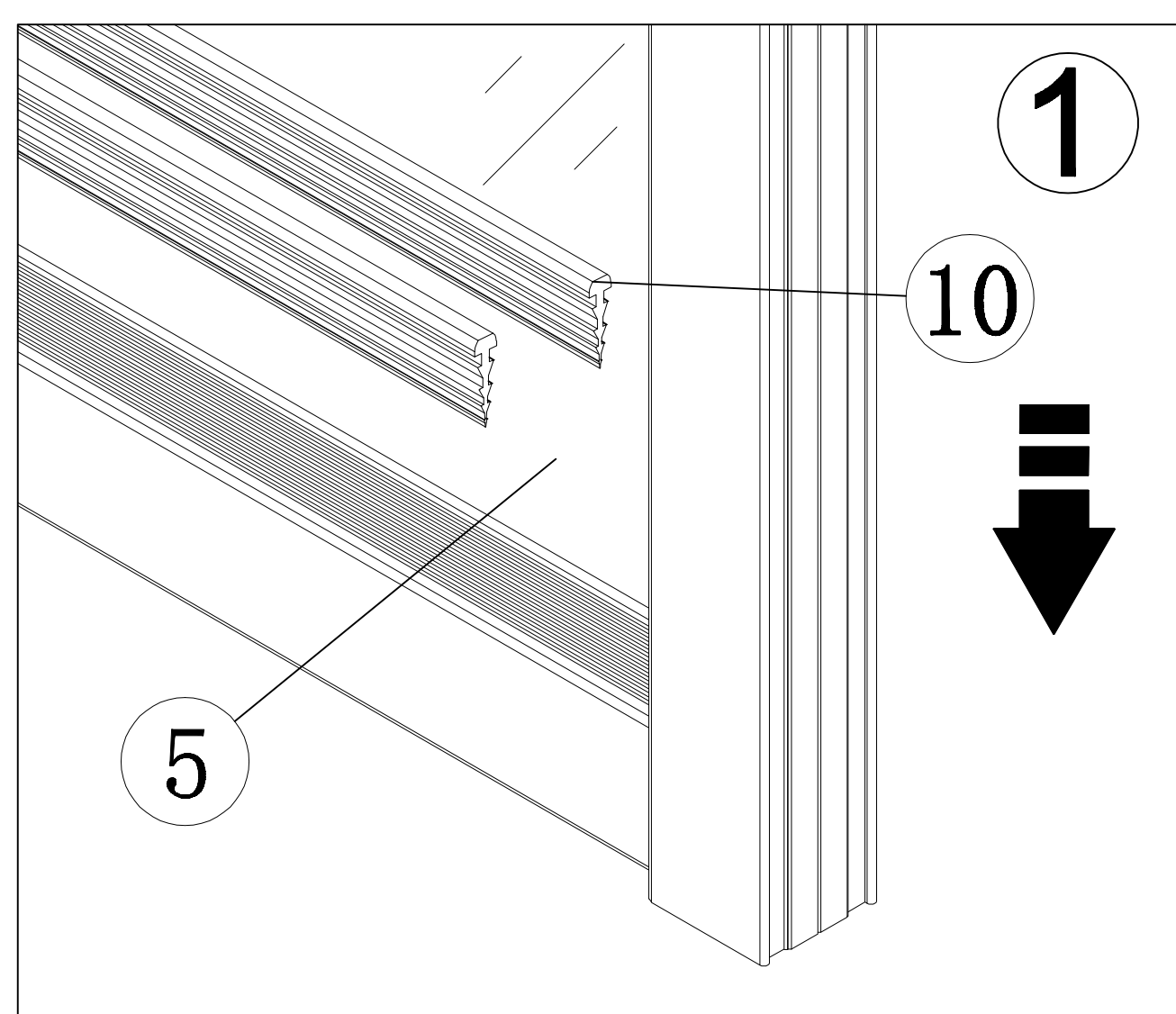
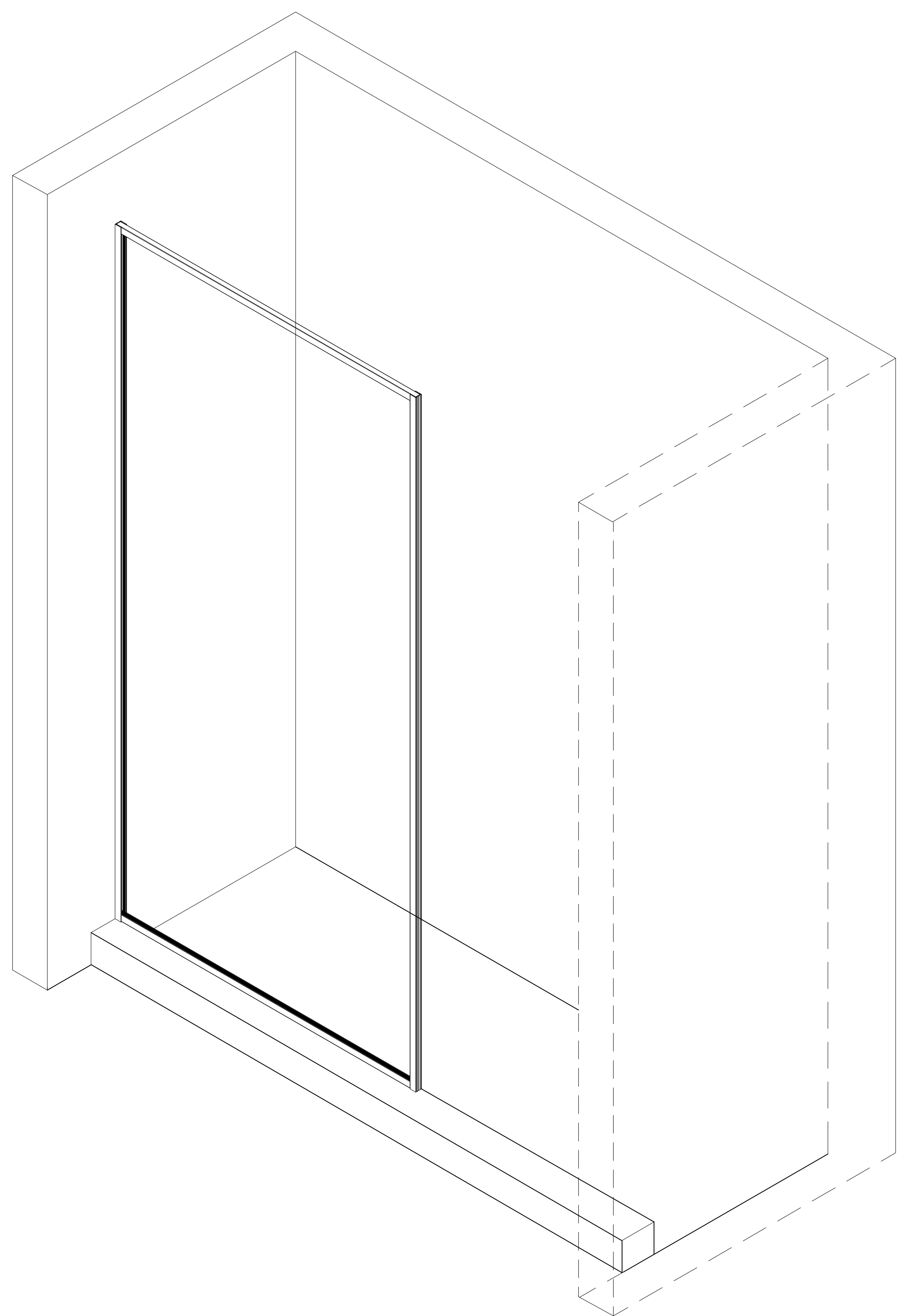




## Left Hand Assembly

### STEP 5

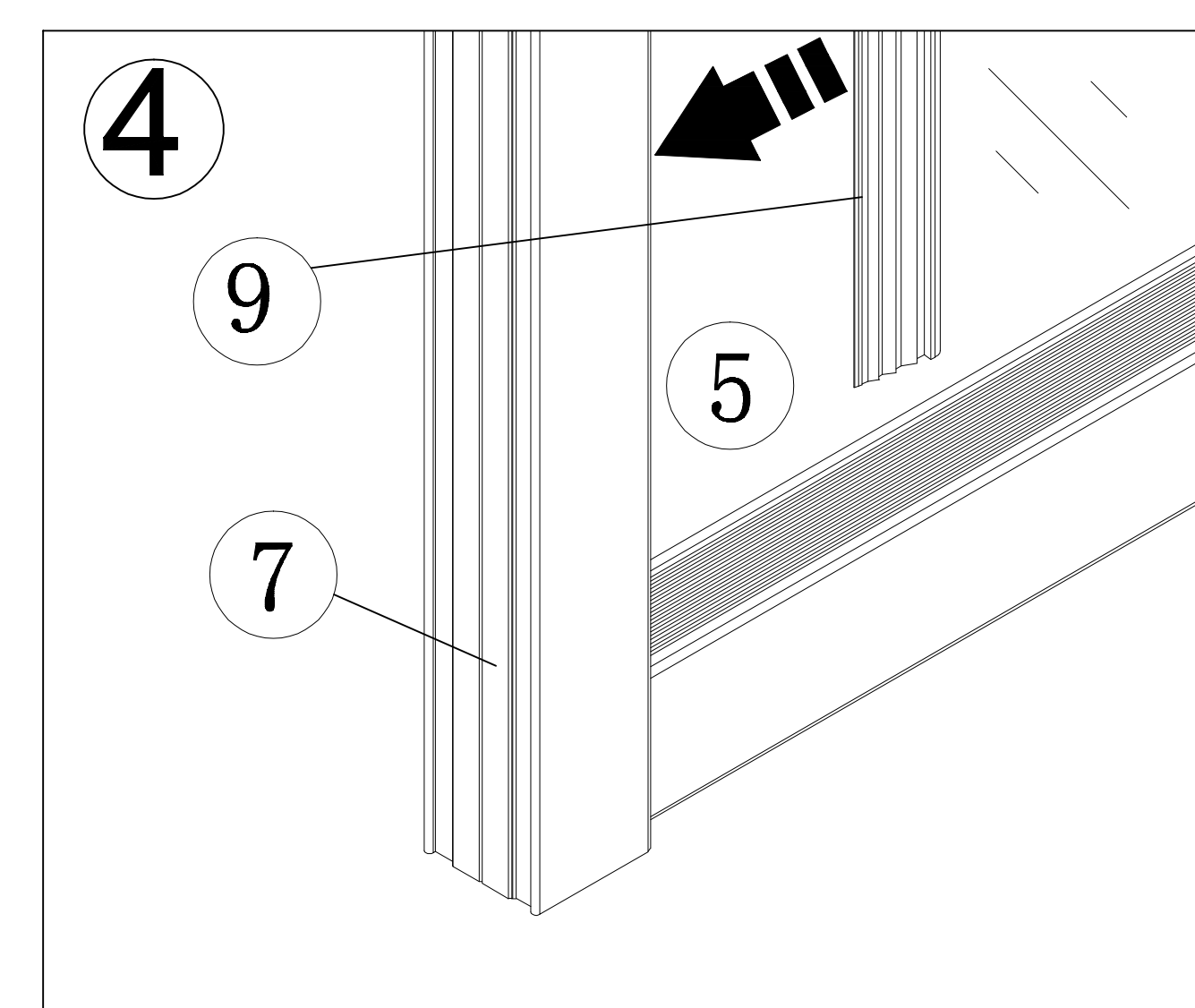
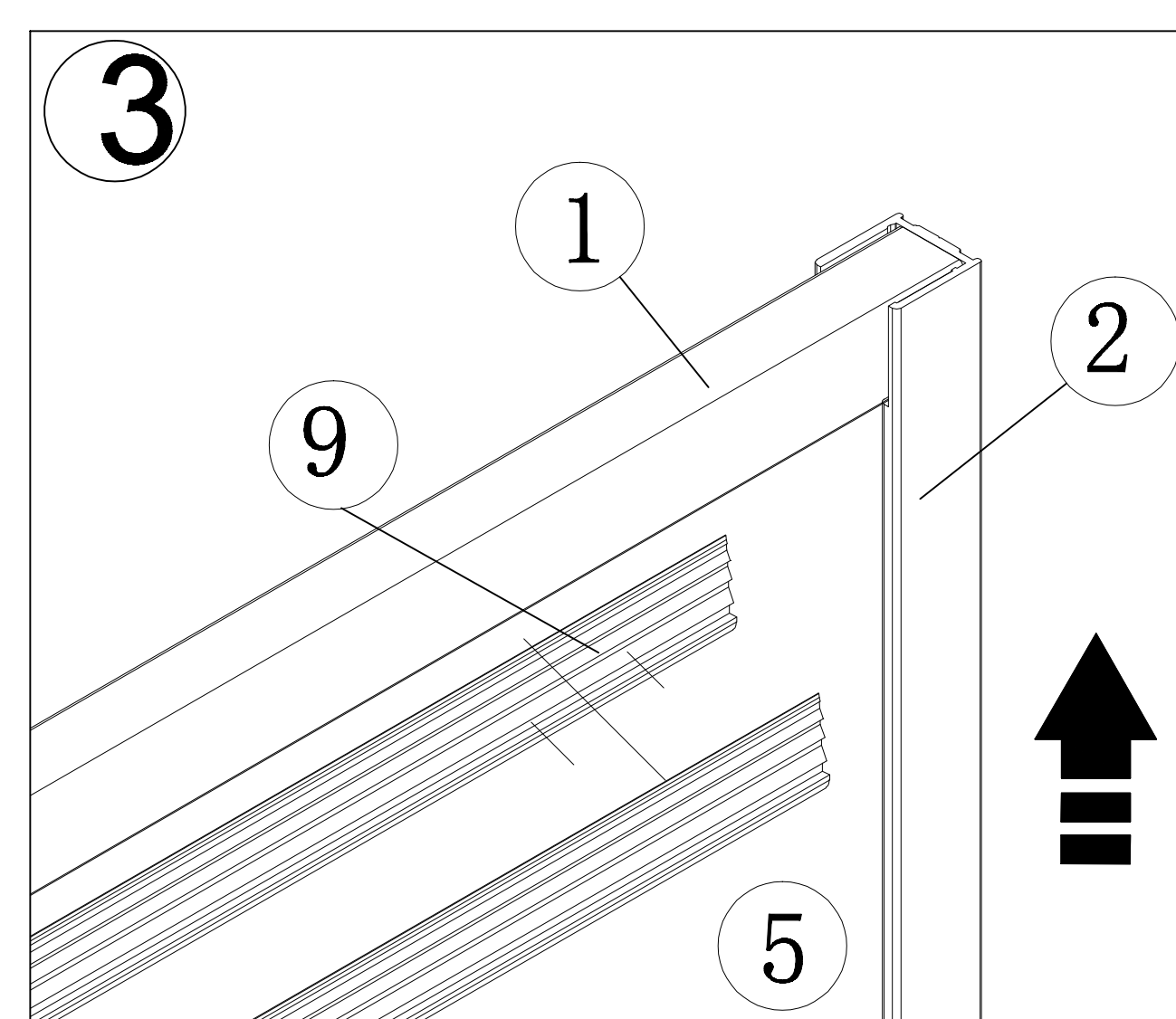
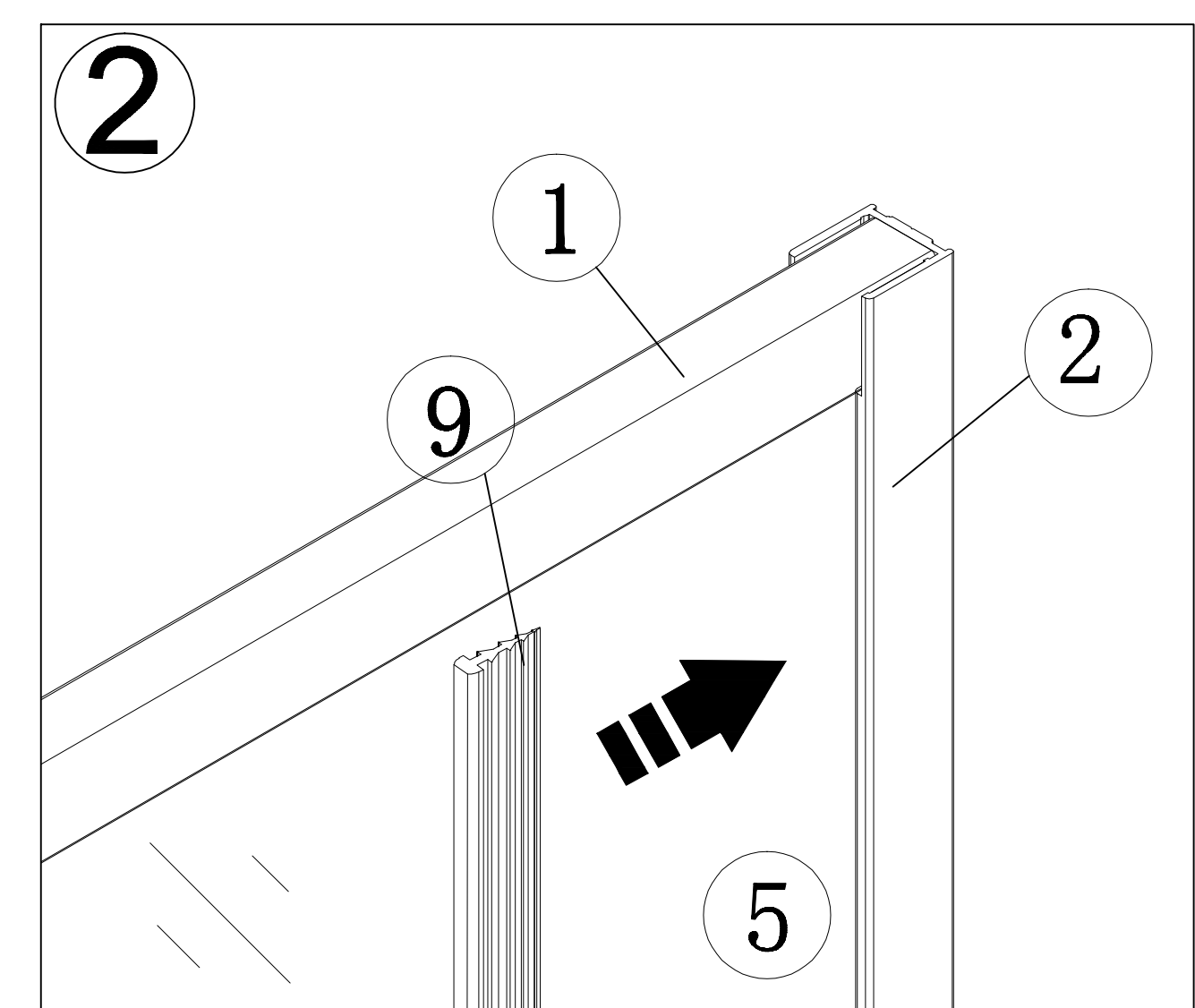
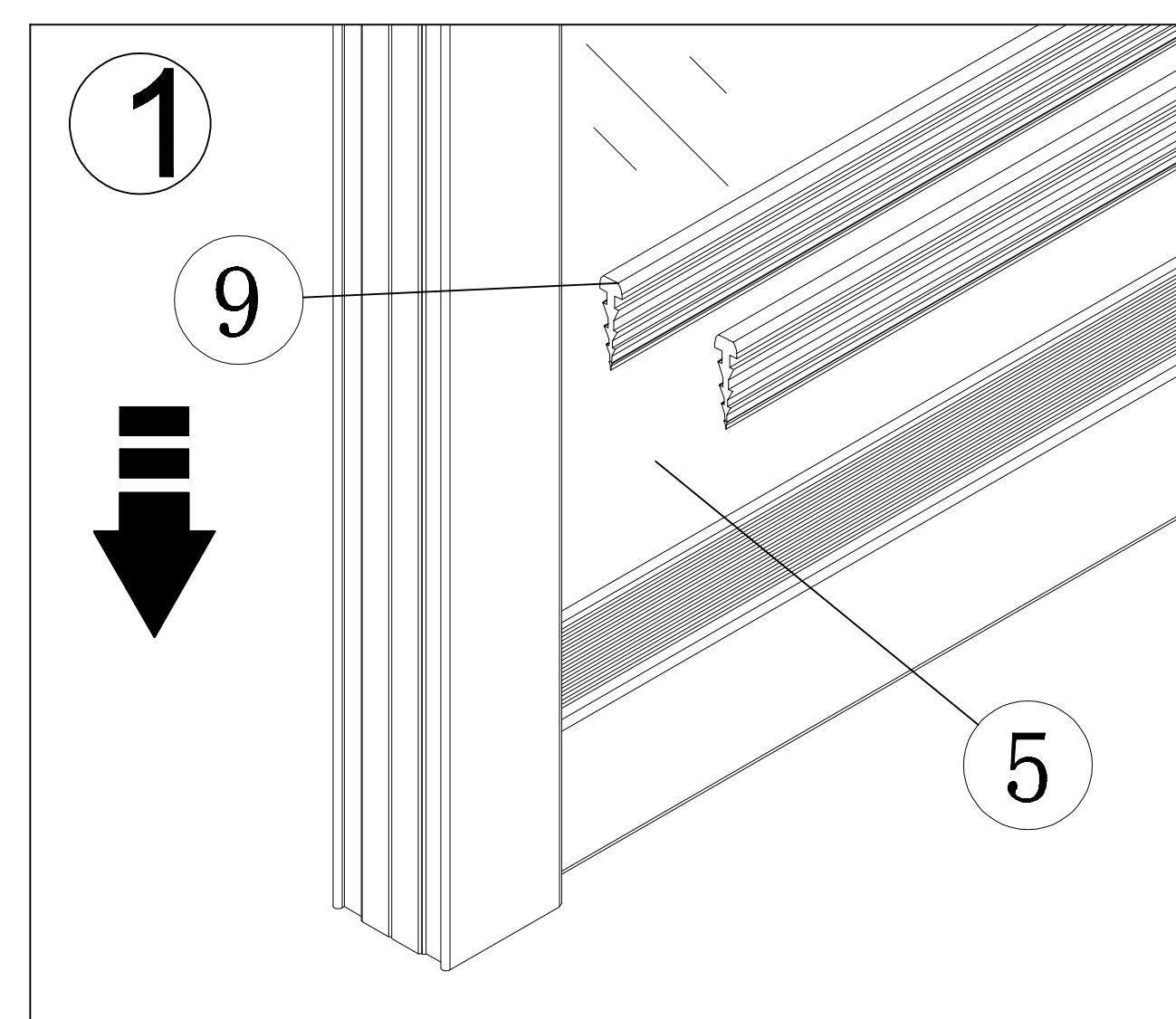
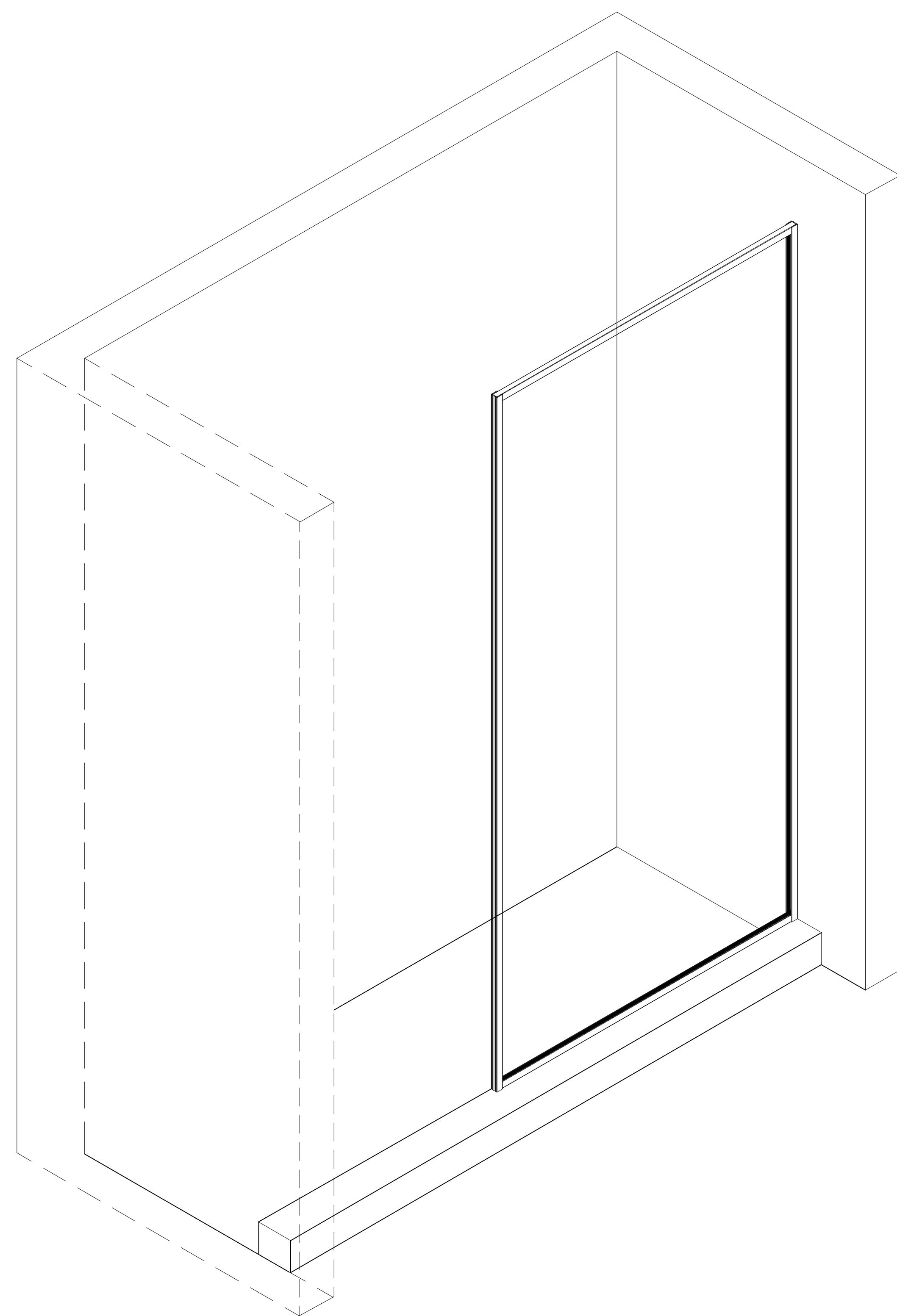
1. Insert One-side strip(10) into glass and SBottom aluminum U channel(6).
2. Insert One-side strip(9) into glass and Wall bracket A(2).
3. Insert One-side strip(10) into glass and SPush Top aluminum U channel(1).
4. Insert One-side strip(9) into glass and Wall bracket B(7).



## Right Hand Assembly

### STEP 5

1. Insert One-side strip(10) into glass and Bottom aluminum U channel(6).
2. Insert One-side strip(9) into glass and Wall bracket A(2).
3. Insert One-side strip(10) into glass and Push Top aluminum U channel(1).
4. Insert One-side strip(9) into glass and Wall bracket B(7).

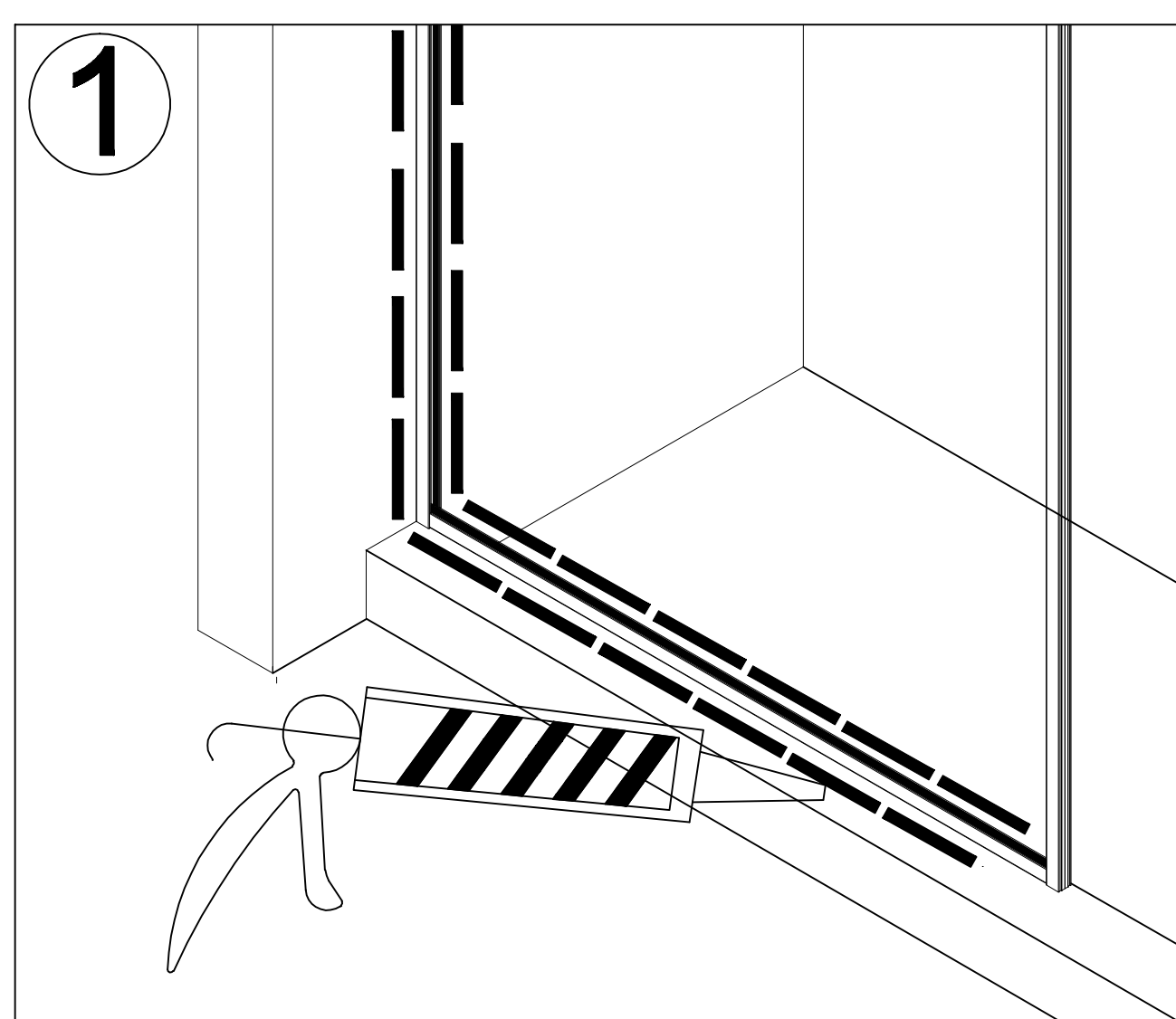
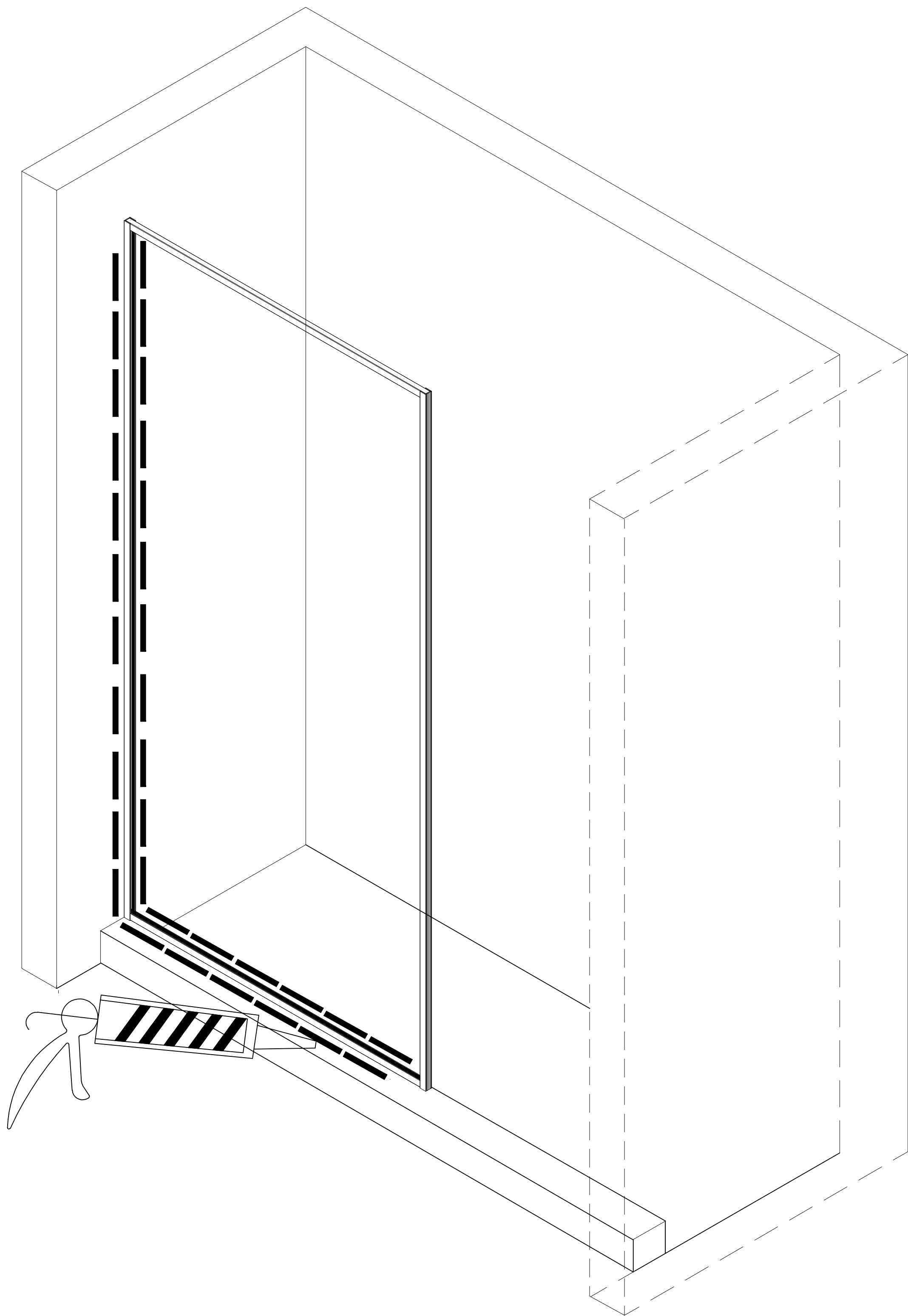




## Left Hand Assembly

### STEP 6

1. Apply qualified mildew resistant silicone along the sides of wall bracket A(2) and the Bottom aluminum U channel(6). Allow the silicone to dry for 24 hours before using the shower to ensure it's fully consolidated.



## Right Hand Assembly

### STEP 6

1. Apply qualified mildew resistant silicone along the sides of wall bracket A(2) and the bottom aluminum U channel(6). Allow the silicone to dry for 24 hours before using the shower to ensure it's fully consolidated.

