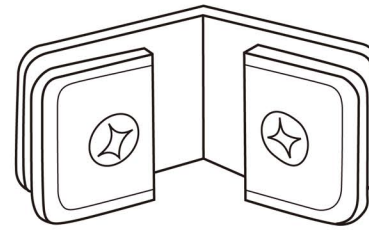


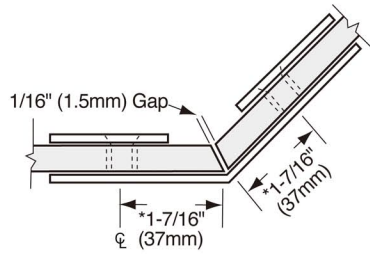
**FRONT VIEW**



**REAR VIEW**

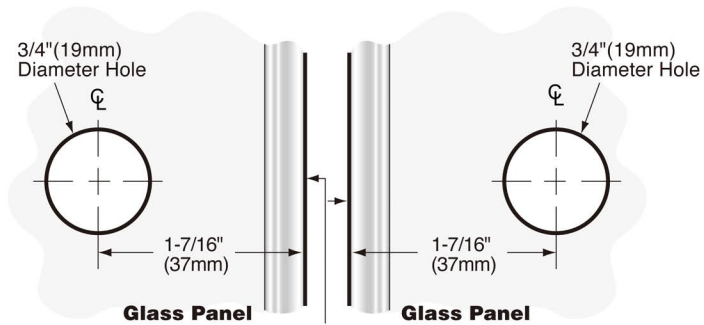
**IMPORTANT:** Project measurements from the edge of the glass.

**TYPICAL INSTALLATION**

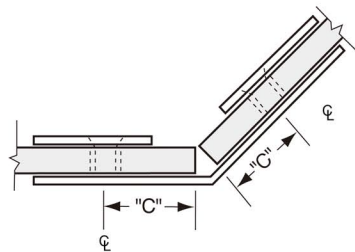


\*From the Outside Edge of Miter

**TEMPLATE OPTION FOR 22-1/2° MITERED GLASS**



**TYPICAL INSTALLATION**



Glass Thickness	"C" Measurement
3/8" (10mm)	1-5/16" (33mm)
1/2" (12mm)	1-1/4" (32mm)

**TEMPLATE FOR SQUARE CUT GLASS**

