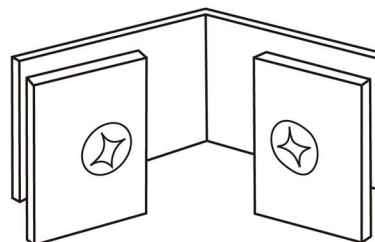


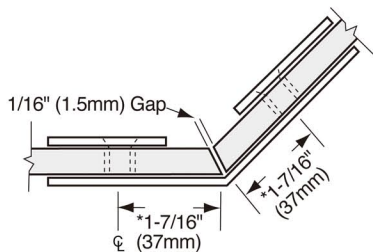
FRONT VIEW



REAR VIEW

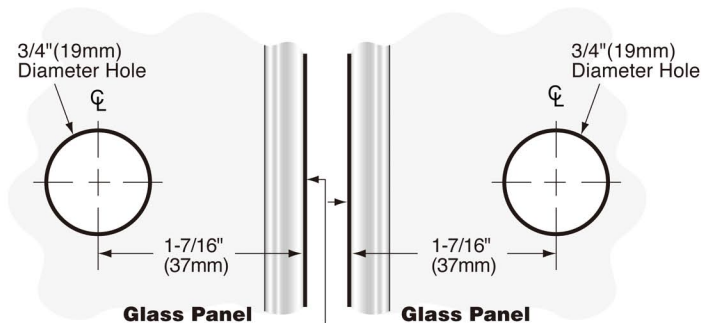
IMPORTANT: Project measurements from the edge of the glass.

TYPICAL INSTALLATION

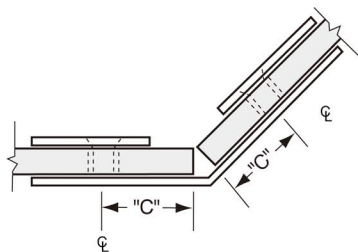


*From the Outside Edge of Miter

TEMPLATE OPTION FOR 22-1/2° MITERED GLASS



TYPICAL INSTALLATION



Glass Thickness	"C" Measurement
3/8" (10mm)	1-5/16" (33mm)
1/2" (12mm)	1-1/4" (32mm)

TEMPLATE FOR SQUARE CUT GLASS

