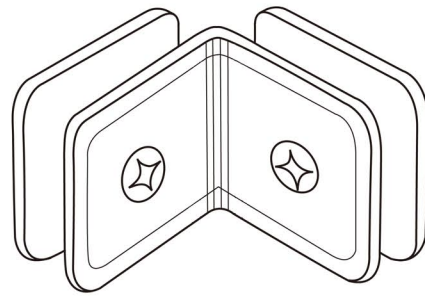
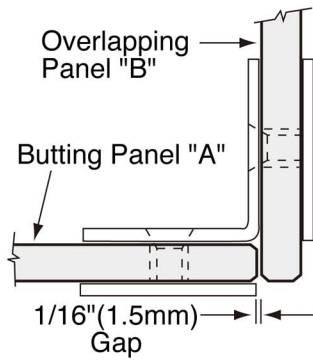


FRONT VIEW



REAR VIEW

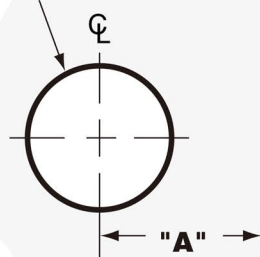
TYPICAL INSTALLATION



TEMPLATE OPTION FOR SQUARE CUT GLASS

Butting Panel

5/8" (16mm) or 3/4" (19mm)
Diameter Hole

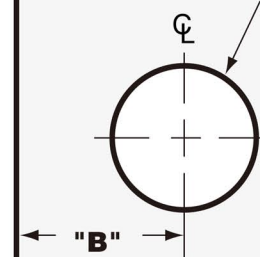


Glass Panel

"A"
Measurement
1-1/8" (29mm)
1-1/8" (29mm)

Overlapping Panel

5/8" (16mm) or 3/4" (19mm)
Diameter Hole

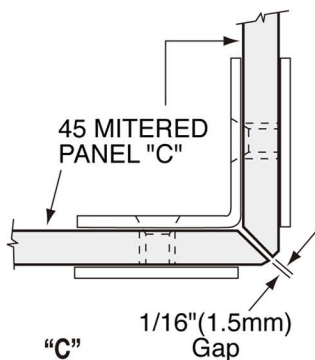


Glass Panel

"B"
Measurement
1-1/2" (38mm)
1-5/8" (41mm)

Glass Thickness
3/8"
1/2"

TYPICAL INSTALLATION



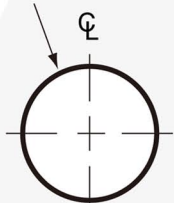
Glass Thickness	"C" Measurement
3/8"	1-7/16" (37mm)*
1/2"	1-9/16" (40mm)*

*From the Outside Edge of Miter

TEMPLATE OPTION FOR 45° MITERED GLASS

45° Mitered Panel

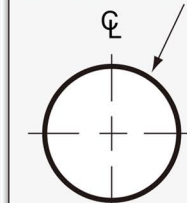
5/8" (16mm) or 3/4" (19mm)
Diameter Hole



Glass Panel

45° Mitered Panel

5/8" (16mm) or 3/4" (19mm)
Diameter Hole



Glass Panel

Outside Edge of Miter